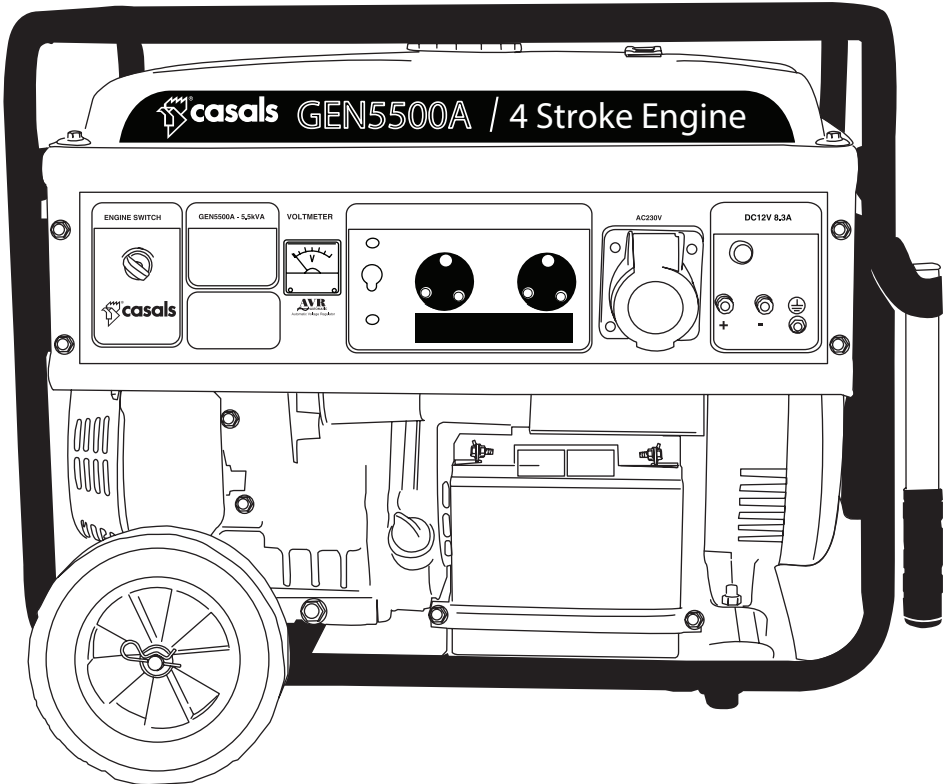
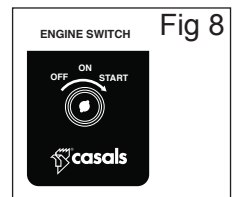
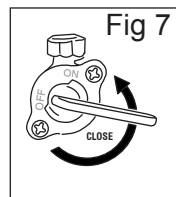
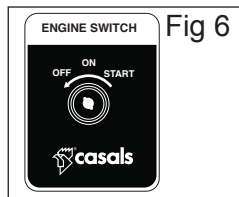
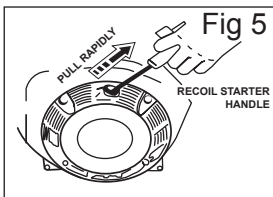
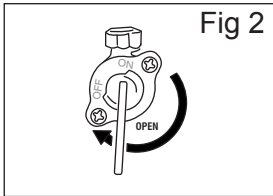
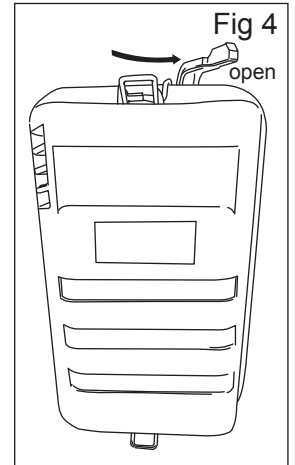
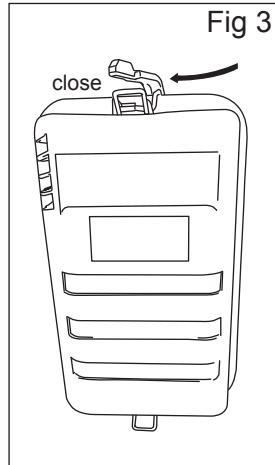
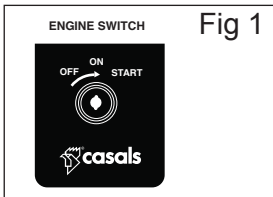
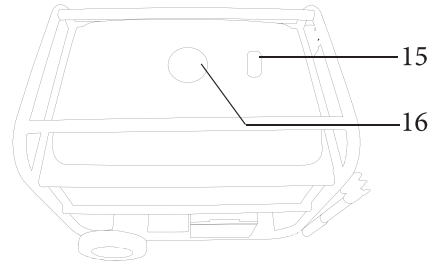
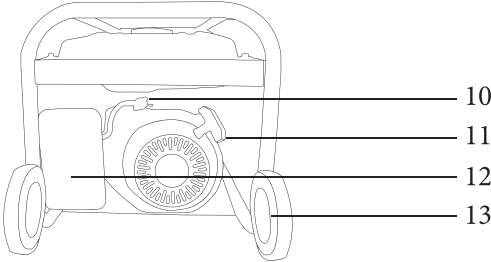
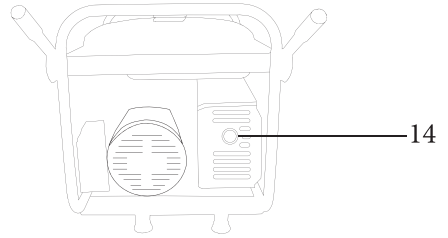
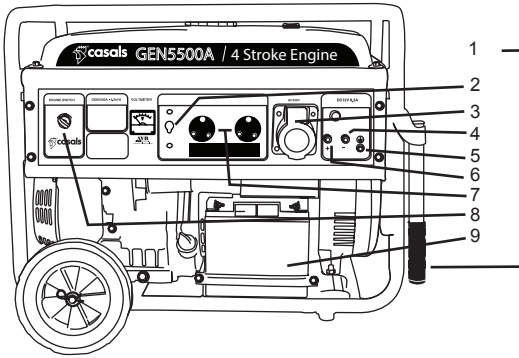




## GEN5500A

GENERATOR  
GENERADOR  
GÉNÉRATEUR  
GERADOR





GENERATOR  
GEN5500A

#### IMPORTANT:

Thank you for purchasing a Casals Petrol generator (hereinafter referred to as the "Petrol generator").

This manual will assist you in operating and maintaining your Petrol generator. This manual is the latest version.

With the continuous improvement and upgrading of this product, the manufacturer reserves the right to modify this manual without notice. The manufacturer shall assume no liability for incorrect information contained in this manual.

This manual is an integral part of the Petrol generator. When the Petrol generator is transferred to others, this manual should be handed over to the new owner.

Some important information in this manual will be indicated in the following way (please see below). The users should pay special attention to these instructions.

The range of CASALS POWER TOOLS is safe and reliable, but incorrect use of these products may cause personal injury and or damage to your machine. Please read this manual thoroughly before operation as this product is required to operate strictly in accordance with this manual.

#### IMPORTANT NOTICES:

**WARNING:** When using the Petrol generator, basic safety precautions including the following safety instructions should always be followed to reduce the risk of fire, electric shock and personal injury. Read all these instructions before operating this product and retain these instructions for future reference.

#### 1. GENERAL SAFETY PRECAUTIONS:

- 1.1. This generator is not intended for use by persons (including children) with reduced physical, sensory or mental capabilities, or lack of experience and knowledge, unless they have been given supervision or instruction concerning use of the generator by a person responsible for their safety.
- 1.2. The generator may only be operated observing the regulations of the operation documentation and under permanent supervision.
- 1.3. The generator must not be used indoors!
- 1.4. Fuel (Petrol) is combustible and easily ignited.

Do not perform refuelling while in operation.

1.5. Only use the specified fuel when operating the generator. (95 Unleaded)

1.6. Do not refuel whilst smoking or near naked flames. Do not overfill or spill fuel. If this happens clean the fuel on and around the generator properly before operating.

1.7. Be careful around the generator as some parts of the internal combustion engine are hot and may cause burns, Pay attention to all warning signs displayed on the generator set.

1.8. Engine exhaust gases are toxic. Do not operate the generator in an unventilated room

1.9. Regularly check that the bolts and nuts are properly tightened as they may become loose due to vibration of the generator whilst in use.

1.10. Before using the generator ensure that you have checked the periodic maintenance schedule in the operator's manual.

1.11. Pay attention to the wiring or extension cords from the generator to the connected device. If the wire is under the generator or in contact with a vibrating part, it may break and possibly cause a fire, generator burnout, or electric shock hazard. Replace damaged or worn cords immediately.

1.12. Ensure that the specifications of the extension cord you are using is compatible with the generator.

1.13. Do not operate in rain, wet or damp conditions, or with wet hands. The operator may suffer severe electric shock if the generator is wet.

1.14. If wet, wipe and dry it well before starting. Do not pour water directly over the generator, nor wash hit with water.

1.15. Do not connect the generator to the mains power grid.

1.16. Keep children and all bystanders at a safe distance from the generator whilst in use.

1.17. It is absolutely essential that you know and understand the safe and proper use of the power tool or appliance that you intend to connect to the generator. All operators must read, understand and follow the tool/ appliance operators' manual. The tool and appliance applications and limitations must be understood. Keep all instruction manuals and in a safe place for future reference.

1.18. Always switch off the circuit breaker on the generator when not in use.

#### 2. ELECTRICAL SAFETY INFORMATION:

2.1. Electrical equipment including cable, cords and plug connection must not be defective. Please check before using.

2.2. Do not plug the generator directly into a wall socket-outlet.

2.3. The generator should not be connected to other sources such as the power company supply mains. In special cases where stand-by connection to existing electrical systems or integration therewith is intended, note that it is a legal requirement that such connections or integration may only be performed by a qualified technician.

2.4. Protection against electrical shock depends on circuit-breakers that are specially matched to the generator. If a circuit breaker requires replacement, it shall be replaced by a circuit breaker that has identical ratings and performance characteristics.

2.5. Due to high mechanical stresses only tough, flexible cable should be used.

2.6. If the generator is of CLASS II construction then the generator does not have to be eathed.

2.7. Cord Extension Sets:

2.7.1. A 1mm<sup>2</sup> flexible cable can draw a maximum of 10A provided that the cable is no longer than 25m.

2.7.2. A 1.5mm<sup>2</sup> flexible cable can draw a maximum of 10a provided that the cable is no longer than 35m

2.7.3. A 1.5mm<sup>2</sup> flexible cable can draw a maximum of 16a provided that the cable is no longer than 20m

2.7.4. A 2.5mm<sup>2</sup> flexible cable can draw a maximum of 10a provided the cable is no longer than 65m

2.7.5. A 2.5mm<sup>2</sup> flexible cable can draw a maximum of 16a provided that the cable is no longer than 45m

2.7.6. A 4mm<sup>2</sup> flexible cable can draw a maximum of 10a provided that the cable is no longer than 100m

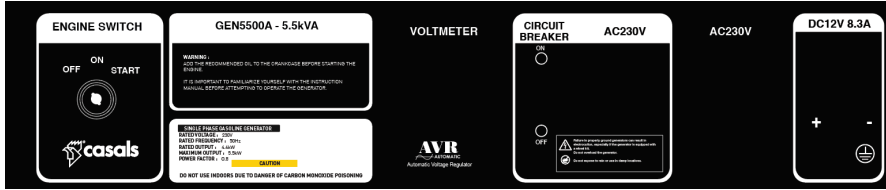
2.7.7. A 4mm<sup>2</sup> flexible cable can draw a maximum of 16a provided that the cable is no longer than 65m

2.8. DROP IN ELECTRIC EXTENSION CORDS:

When a long electric extension cord is used to connect an appliance or tool to the generator, a certain amount of voltage drop or loss occurs in the extension cord which reduces the effective voltage available for the appliance or tool.

Nominal cross section	A.W.G	Allowable current	No. of standards/stands dia.	Resistance	Current Amp.							Voltage drop
					1A	3A	5A	8A	10A	12A	15A	
mm <sup>2</sup>	No.	A	No./mm	/100m	1A	3A	5A	8A	10A	12A	15A	
0.75	18	7	30/0.18	2.477	2.5V	8V	12.5V					
1.27	16	12	50/0.6	1.486	1.5V	5V	7.5	12V	15V	18V		
2	14V	17	37/0.26	0.952	1V	3V	5V	8V	10V	12V	15V	
3.5	12 to 10	23	45/0.32	0.517		15V	2.5V	4V	5V	6.5V	7.5V	
5.5	10 to 8	35	70/0.32	70/0.32		1V	2V	2.5V	3.5V	4V	5V	

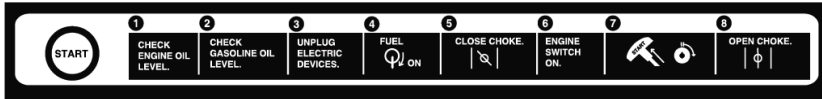
### 3. SAFETY STICKERS AND EXPLANATIONS:



Warning Label



Warning Label



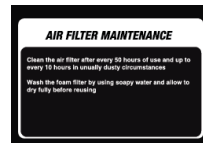
Warning Label



Warning Label



Warning Label



Warning Label



Warning Label



Warning Label



Warning Label

#### 4. SPECIFICATIONS:

Petrol fueled generator		GEN5500A
Generated power (AC)		230V - 50Hz
Maximal nominal performance	W	4400
Permanent performance	W	4400
Rotation/idle (+/-5%)	RPM	3000/minute
Nominal Performance of the engine	HP	13
Type of engine		4-stroke
Cubic capacity	cm2	389
Cooling System		Air cooled
Protection degree		IP23
Ignition system		TCI
Fuel tank	L	23
Fuel type		Unleaded
Weight	kg	80
Dimensions	cm	680x520x540
Noise level	dB (A)	72
Protection class		I

Specifications are subject to change without notice.

#### 5. COMPONENTS:

- 1- Handles
- 2- Circuit Breaker
- 3- Caravan socket outlet
- 4- Negative terminal
- 5- Earth terminal
- 6- Positive terminal
- 7- Mains power inlet
- 8- Key Start ignition
- 9- Battery
- 10- Fuel Cork
- 11- Pull start handle
- 12- Sponge filter cover

- 13- Wheel
- 14- Exhaust outlet
- 15- Fuel Gauge
- 16- Fuel filler cap

Please note that no grounding rod is supplied with this generator.

#### 6. PRE-OPERATION CHECKS:

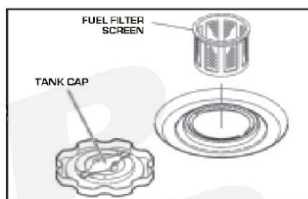
##### 6.1. CHECKING THE ENGINE FUEL:

**WARNING:** Do not refuel while smoking or near an open flame or other potential fire hazards.

6.1.1. Remove the fuel cap at the top of the generator to check the fuel level.

6.1.2. If petrol is too low, top up with unleaded petrol only.

6.1.3. Ensure that you use the fuel filter screen on the fuel filter.



##### 6.3. FUEL CAPACITY FOR THE GEN5500A:

6.3.1. GEN5500A – 23L

##### WARNING:

Make sure you review each warning in order to prevent fire hazards. Do not refill the fuel tank whilst the engine is running or hot. Please ensure that the fuel cock is closed before refuelling. Be careful not to contaminate the fuel with any dust, dirt, water or other foreign liquids/objects. Please clean all spilt fuel thoroughly before starting the generator.

**Ensure that the generator is clear from any open flames. Do not smoke whilst refuelling the generator.**

##### 6.4. CHECKING COMPONENT PARTS:

Before starting the generator please check the following:

6.4.1. Check for any fuel leaking from any part of the generator.

6.4.2. Check that all the nuts and bolts are securely tightened on the generator.

6.4.3. Check for any visible damaged components on the generator.

6.4.4. Check that the generator is not resting on or adjacent to any electrical wiring.

## 6.5. CHECK THE GENERATOR SURROUNDINGS:

### WARNING:

Make sure you review each warning in order to prevent fire hazards. Keep the surrounding area clear of flammables or other hazardous materials. Keep the generator at least 3 feet (1 meter) away from all buildings and or other structures. Only operate the generator in a dry, well-ventilated area. Keep the exhaust pipe clear of all foreign objects. Keep the generator away from open flames. Do not smoke in close proximity to the generator. Keep the generator on a flat and level surface. Do not attempt to block the generator air vents with any paper or other material/objects.

## 7. OPERATING PROCEDURES:

### 7.1. STARTING THE GENERATOR ENGINE:

7.1.1. Turn the engine "KEY" to the "ON/START" position. (For manual start Generators there will be a Switch and not a Key). FIG.1

7.1.2. Open the fuel cock. FIG.2

7.1.3. Turn the choke lever to "CLOSED" position if the generator engine is cold. Fig.3

7.1.4. For manual start machines pull the recoil starter until resistance is felt. FIG.5

7.1.5. This is the "compression" point. Return the handle to its original position, and then pull swiftly.

7.1.6. If the generator engine fails to start after several attempts, repeat above the procedures with the choke knob returned to the "OPEN" position. FIG.4

7.1.7. Do not pull the rope of the recoil starter out completely.

7.1.8. After starting the generator allow the starter handle to return to its original position whilst still holding on to the handle.

### 7.2. USING ELECTRIC POWER:

7.2.1. Insure that the battery terminals are connected and the turn the key to the start position to start the generator with the electric start.(Fig 8)

### WARNING:

Make sure that the appliance is switched OFF before connecting it to the generator. Do not move the generator while it is running.

### 7.3. STOPPING THE GENERATOR:

7.3.1. Turn off the power switch of the electric equipment and unplug the cord from the receptacle of the generator.

7.3.2. Turn the key to the "OFF" position.(Fig 6)

7.3.3. Close the fuel valve. Fig 7

## 8. WATTAGE INFORMATION:

8.1. Some appliances need a "surge" of energy when starting. This is commonly known as a "LAGGING" Load.

8.2. This means that the amount of electrical power needed to start the appliance may exceed the amount needed to maintain its use.

8.3. Electrical appliances and tools normally come with a label indicating voltage, cycles/Hz, amperage (amps) and electrical power needed to run the appliance or tool.

8.4. Check with your nearest branch with questions regarding power surges of certain appliances or power tools.

8.5. Electrical loads such as incandescent lamps and hot plates require the same wattage to start as is needed to maintain their use. This is commonly known as a "LEADING" Load

8.6. Loads such as fluorescent lamps with starters require 1.5 to 2 times the indicated wattage during start-up.

8.7. Electrical motors require a large starting current. Power requirements depend on the type of motor and its use. Once enough "power" is attained to start the motor, the appliance will require only +-50% of the wattage in order to continue running.

8.8. Most electrical tools require 1.5 to 3 times their wattage for running under load during use. Loads such as submersible pumps and air compressors require a very large force to start. They need 3 to 5 times the normal running wattage in order to start.

## 9. MAINTENANCE SCHEDULE:

**FOR ALL YOUR SERVICE, MAINTENANCE AND WARRANTY QUERIES PLEASE CONTACT CREATIVE HOUSEWARES. PLEASE REFER TO THE BACK PAGE FOR CONTACT DETAILS.**

### 9.1. DAILY INSPECTION:

Before starting the generator please check the following service items:

9.9.1. Check if there is enough fuel

9.9.2. Excessive vibration, noise

9.9.3. Loose or broken bolts

9.9.4. Fuel leakage

9.9.5. Safe surroundings

### 9.2. PERIODIC MAINTENANCE:

Periodic maintenance is vital for the safe and efficient operation of the generator. Check the table below for periodic maintenance intervals.

**IT IS ALSO NECESSARY FOR THE USER OF THIS GENERATOR TO CONDUCT THE MAINTENANCE AND ADJUSTMENTS ON THE EMISSION-RELATED PARTS LISTED BELOW TO KEEP THE EMISSION CONTROL SYSTEM EFFECTIVE.**

The emission control system consists of the following parts:

- (1) Carburettor and internal parts
- (2) Cold start enrichment system, (if applicable)
- (3) Intake manifold, (if applicable)
- (4) Air cleaner elements
- (5) Spark plug
- (6) Magneto or electronic ignition system (if applicable)
- (7) Spark advance/retard system, (if applicable)
- (8) Exhaust manifold, (if applicable)
- (9) Hoses, belts, connectors and assemblies

The maintenance schedule indicated in the table is based on normal generator operation. Should the generator be operated in extremely dusty conditions or in heavier loading conditions, the maintenance intervals must be shortened. This will depend on the contamination of oil, clogging of filter elements and the wear and tear of parts.

**10. “HOW – TO” MAINTENANCE  
10.1. CLEANING AIR FILTER:**

**CAUTION**

Do not wash the elements with kerosene, petrol or oil.

A dirty air filter element will make the starting of the generator difficult. It will also cause the generator to under-perform and may cause permanent damage. Always keep the air filter element clean.

**9.2.1. Periodic Maintenance Table**

Maintanace Items	Every 8 hours (Daily)	Every 20 hours	Every 100 hours (Weekly)	Every 200 hours (Monthly)	Every 500 hours	Every 1000 hours
Clean Generator and check bolts and nuts	●					
Clean spark plug			●			
Clean air filter			●			
Replace air filter element				●		
Clean fuel strainer				●		
Clean and adjust spark plug and electrodes				●		
Replace spark plug					●	
Remove carbon from cylinder head (note 1)						●
Clean and adjust valve clearance (note 2)						●
Clean and adjust carburetor (note 2)					●	
Clean and replace carbon brushes					●	
Replace fuel lines					●	
Overhaul engine (note 2)	If and when needed					



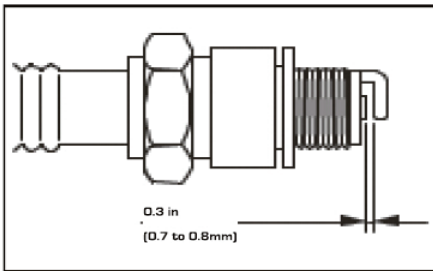
10.1.1. The urethane foam element must be washed with a cleaning detergent. After cleaning it ensure that it is dried properly before reinstalling. Please clean every 100 hours.

10.1.2. Clean the paper element by tapping and blowing it gently to remove dirt and dust. Never use oil to clean the paper element. Please clean every 50 hours and replace every 200 hours.

**Please clean the air filter elements more often when operating in dusty environments.**

**10.2. CLEANING AND ADJUSTING SPARK PLUG:**

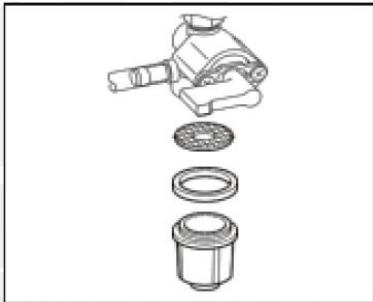
10.2.1. If the spark plug is clogged with carbon please clean it using a plug cleaner or wire brush.  
 10.2.2. Always check electrode gap after cleaning. Adjust gap to 0.03 inches (0.7mm to 0.8mm).



**10.3. CLEANING FUEL STRAINER:**

Please note that dirt and water in the fuel are removed by the fuel strainer.

10.3.1. Remove the strainer cup and clean it properly by removing the water and dirt collected.  
 10.3.2. Clean the screen and strainer cup with petrol.  
 10.3.3. Fasten the cup tightly to the main body and ensure that there are no fuel leaks.



**10.4. FUEL HOSE REPLACEMENT:**

**WARNING**

Please take extreme caution when replacing the fuel hose as petrol is extremely flammable and dangerous.

**DO NOT SMOKE OR EXPOSE TO OPEN FLAMES whilst doing this.**

10.4.1. Please ensure that the fuel hose is replaced every 500 hours. Do not attempt to do this whilst there fuel cock is open.

10.4.2. Please replace the fuel hose immediately should a leak develop or if the fuel hose is perished.

**11. TRANSPORTING AND STORAGE:**

11.1. Before transporting the generator please ensure that the fuel cock is in the "OFF" position. Contact with a hot engine or exhaust system can cause severe burns and or fires, always allow for the engine to cool down prior to transporting and or storing.

Always ensure that the generator is transported and or stored in a flat horizontal position. Tilting of the unit may cause fuel spillage which may result in a fire.

11.2. Before storing the generator for an extended period of time please ensure that the area of storage is free from excessive water, dust and humidity. Please follow the table below:

Storage Time	Recommended Maintenance
0-1 Month	•No preparation required
1-2 Months	•Drain out original fuel in the fuel tank and replace with clean fuel
2-12 Months	•Drain out original fuel in the fuel tank and replace with clean fuel •Empty fuel from the carburetor •Empty fuel from
>12 Months	•Drain out original fuel in the fuel tank and replace with clean fuel •Empty fuel from the carburetor •Empty fuel from the fuel sediment cup •Remove the spark plug and pour a teaspoon of 4 stroke engine oil into the cylinder. Turn the engine slowly by pulling on the recoil starter. Reinstall the spark plug •After removal from storage, drain the stored fuel into a suitable container and replace with
•Drain the carburetor by loosening the drain screw. Drain the fuel into a suitable container. Reinstall the drain plug. •Having switched the fuel cork off, remove the sediment cup, empty the fuel, then reinstall the cup and secure it properly.	

**NEVER STORE THE GENERATOR INSIDE A HOUSE OR OFFICE. DO NOT STORE THE GENERATOR WHERE IT IS SUSEPTABLE TO RAIN OR WATER.**

**12. TROUBLESHOOTING:**

If the generator engine fails to start after several attempts and if there is no electricity available at the output socket then please check the chart below. If the generator still fails to start or generate electricity the please contact CREATIVE HOUSEWARES (see the back page of this manual for the contact details)

**When the engine fails to start:**

Check if the choke lever is in it's proper position	Set the choke lever to the "CLOSED" position
Check if the fuel cork is open	If it is closed, open it
Check the fuel level	If the fuel tank is empty, refill it. CAUTION: Do not overfill
Check if the engine switch is in the "OFF" position	Turn the engine switch to the "ON" position.
Ensure that the generator is not connected to an appliance	If it is connected to an appliance, turn off the power switch on the appliance and unplug it.
Test to see if the spark plug cap is loose.	If it is loose, push the spark plug cap back tight
Check the spark plug for carbon build up	

**Recycling**

These electrical products, cables, batteries, packaging, and the manual, should not be mixed with general household waste. For proper recycling, please take these products to your nearest **Creative Housewares** office where they will be accepted for recycling free of charge.

Alternatively, please contact your local authority or household waste disposal service for further details of your nearest designated collection point. Correct product disposal saves resources and prevents negative effects on human health and the environment

GENERADOR  
GEN5500A

**IMPORTANTE:**

Gracias por comprar un Grupo generador de gasolina de Casals (en adelante, el "generador").

Este manual lo ayudará a operar y mantener su generador. Este manual es la última versión. Con la mejora continua y la actualización de este producto, el fabricante se reserva el derecho de modificar este manual sin previo aviso. El fabricante no asumirá ninguna responsabilidad por la información incorrecta contenida en este manual.

Este manual es una parte integral del generador. Cuando el generador se transfiera a otros, este manual debe entregarse al nuevo propietario.

Alguna información importante en este manual se indicará de la siguiente manera (ver más abajo). Los usuarios deben prestar especial atención a estas instrucciones.

**La gama de generadores de CAS ALS es segura y confiable , pero el uso incorrecto de estos productos puede causar lesiones personales o daños a su máquina.**

**Lea este manual detenidamente antes de utilizarlo, ya que este producto debe funcionar estrictamente de acuerdo con este manual.**

**NOTICIAS IMPORTANTES**

**POR FAVOR PAGA LA ATENCIÓN ESPECIAL A LAS DECLARACIONES PRECEDIDAS POR LAS SIGUIENTES PALABRAS:**

Consejos de seguridad y advertencias!

Lea estas instrucciones cuidadosamente antes de encender el generador portátil y guárdelo para futuras referencias . El incumplimiento y el cumplimiento de estas instrucciones podría provocar un accidente. El uso de esta máquina solo será seguro y duradero si sigue estas instrucciones. El uso de este generador portátil NO se recomienda para fines comerciales e industriales.

**1. PRECAUCIONES GENERALES DE SEGURIDAD:**

- 1.1. Este generador no está diseñado para ser utilizado por personas (incluidos niños) con capacidades físicas, sensoriales o mentales reducidas, o por falta de experiencia y conocimiento, a menos que una persona responsable de su seguridad les haya dado supervisión o instrucciones sobre el uso del generador.
- 1.2. El generador solo puede ser operado observando las regulaciones de la documentación de operación y bajo supervisión permanente.
- 1.3. ¡El generador no debe utilizarse en interiores!
- 1.4. El combustible (gasolina) es combustible y se enciende fácilmente. No realice el reabastecimiento de combustible mientras esté en funcionamiento.
- 1.5. Solo use el combustible especificado cuando opere el generador. (95 Sin plomo) .
- 1.6. No cargue combustible mientras esté fumando o cerca de llamas desnudas. No llene en exceso ni derrame combustible. Si esto sucede, limpie el combustible en y alrededor del generador adecuadamente antes de operar.
- 1.7. Tenga cuidado con el generador, ya que algunas partes del motor de combustión interna están calientes y pueden causar quemaduras. Preste atención a todas las señales de advertencia que se muestran en el grupo electrógeno.
- 1.8. Los gases de escape del motor son tóxicos. No opere el generador en una habitación sin ventilación.
- 1.9. Verifique regularmente que los pernos y las tuercas estén bien apretados, ya que pueden perderse debido a la vibración del generador mientras está en uso.
- 1.10. Antes de usar el generador, asegúrese de haber verificado el programa de mantenimiento periódico en el manual del operador.
- 1.11. Preste atención al cableado o los cables de extensión del generador al dispositivo conectado. Si el cable está debajo del generador o está en contacto con una parte vibrante, puede romperse y posiblemente provocar un incendio, un quemado del generador o un peligro de descarga eléctrica. Reemplace los cables dañados o desgastados inmediatamente.
- 1.12. Asegúrese de que las especificaciones del cable de extensión que está utilizando sean compatibles con el generador.
- 1.13. No lo haga funcionar bajo la lluvia, en

condiciones húmedas o mojadas, o con las manos mojadas. El operador puede sufrir una descarga eléctrica severa si el generador está mojado.

1.14. Si está mojado, límpielo y séquelo bien antes de comenzar. No vierta agua directamente sobre el generador, ni lave el golpe con agua.

1.15. No conecte el generador a la red eléctrica.

1.16. Mantenga a los niños y todos los espectadores a una distancia segura del generador mientras esté en uso.

1.17. Es absolutamente esencial que conozca y comprenda el uso seguro y correcto de la herramienta eléctrica o el dispositivo que pretende conectar al generador. Todos los operadores deben leer, comprender y seguir el manual de operación de la herramienta / dispositivo . Las herramientas y aplicaciones de aplicación y las limitaciones deben ser entendidas. Guarde todos los manuales de instrucciones y en un lugar seguro para futuras referencias.

1.18. Siempre apague el interruptor de circuito en el generador cuando no esté en uso.

## 2. INFORMACIÓN DE SEGURIDAD ELÉCTRICA:

2.1. El equipo eléctrico, incluido el cable, los cables y la conexión del enchufe, no debe estar defectuoso. Por favor, compruebe antes de usar.

2.2. No enchufe el generador directamente a una toma de corriente.

2.3. El generador no debe estar conectado a otras fuentes, como la red de suministro de la compañía eléctrica. En en los casos especiales en los que se pretende la conexión en espera con sistemas eléctricos existentes o la integración con los mismos, tenga en cuenta que es un requisito legal que dichas conexiones o integración solo puedan ser realizadas por un técnico calificado.

2.4. La protección contra descargas eléctricas depende de los interruptores automáticos espe-

cialmente adaptados al generador. Si un disyuntor requiere reemplazo, debe ser reemplazado por un disyuntor que tenga calificaciones y características de desempeño idénticas.

2.5. Debido a las altas tensiones mecánicas , solo se debe usar un cable flexible y flexible .

2.6. Si el generador es de construcción CLASE II, el generador no tiene que estar conectado a tierra.

2.7. Conjuntos de extensión de cable:

2.7.1. Un cable flexible de 1mm<sup>2</sup> puede dibujar un máximo de 10A siempre que el cable no supere los 25 m .

2.7.2. Un cable flexible de 1.5mm<sup>2</sup> puede dibujar un máximo de 10a siempre que el cable no supere los 35 m .

2.7.3. Un cable flexible de 1.5mm<sup>2</sup> puede dibujar un máximo de 16a siempre que el cable no supere los 20 m .

2.7.4. Un cable flexible de 2,5 mm<sup>2</sup> puede dibujar un máximo de 10a siempre que el cable no sea más largo que 65m .

2.7.5. Un cable flexible de 2,5 mm<sup>2</sup> puede dibujar un máximo de 16a siempre que el cable no supere los 45 m .

2.7.6. Un cable flexible de 4mm<sup>2</sup> puede dibujar un máximo de 10a siempre que el cable no supere los 100 m .

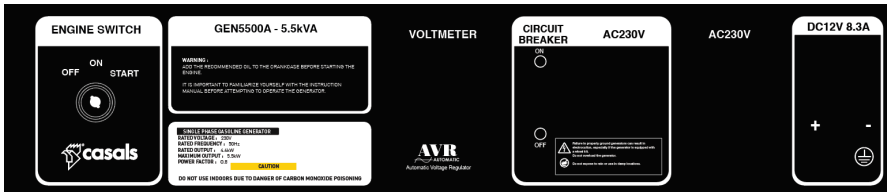
2.7.7. Un cable flexible de 4mm<sup>2</sup> puede dibujar un máximo de 16 a siempre que el cable no sea más largo que 65m .

## 2.8. GOTA EN LOS CABLES DE EXTENSION ELECTRICA:

Cuando se usa un cable de extensión eléctrico largo para conectar un aparato o herramienta al generador, se produce una cierta caída o pérdida de voltaje en el cable de extensión, lo que reduce el voltaje efectivo disponible para el dispositivo o herramienta.

Sec- ción trans- versal nomi- nal	A.W.G	Cor- riente per- misible	Núm. De normas / stands dia.	Resist- encia	Amplificador actual.							Caída de voltaje
					1A	3A	5A	8A	10A	12A	15A	
mm2	No.	A	No./mm	/100m	1A	3A	5A	8A	10A	12A	15A	
0.75	18	7	30/0.18	2.477	2.5V	8V	12.5V					
1.27	16	12	50/0.6	1.486	1.5V	5V	7.5	12V	15V	18V		
2	14V	17	37/0.26	0.952	1V	3V	5V	8V	10V	12V	15V	
3.5	12 to 10	23	45/0.32	0.517		15V	2.5V	4V	5V	6.5V	7.5V	
5.5	10 to 8	35	70/0.32	70/0.32		1V	2V	2.5V	3.5V	4V	5V	

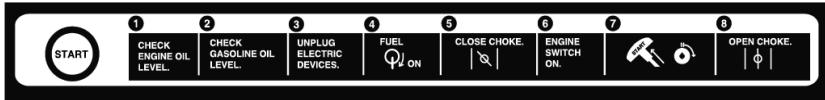
### 3. ETIQUETAS Y EXPLICACIONES DE SEGURIDAD:



Warning Label



Warning Label



Warning Label



Warning Label



Warning Label



Warning Label



Warning Label



Warning Label



Warning Label

#### 4. ESPECIFICACIONES:

Generador de gasolina		GEN5500A
Potencia generada (C.A)		230V - 50Hz
Nominal máxima-lactuación	W	4400
Rendimiento permanente	W	4400
Rotación / inactividad (+/- 5%)	RPM	3000/minute
Desempeño nominal del moto	HP	13
Tipo de motor		4-stroke
Capacidad cúbica	cm2	389
Sistema de refrigeración		Air cooled
Grado de protección		IP23
Sistema de encendido		TCI
Depósito de combustible	L	23
Tipo de combustible		Unleaded
Peso (sin combustible) y aceite	kg	80
Dimensiones	cm	680x520x540
Nivel de ruido	dB (A)	72
Clase de protección		I

Las especificaciones están sujetas a cambios sin previo aviso.

#### 5. COMPONENTES:

- 1- manijas
- 2- entrada de 3 fases
- 3- Toma de corriente de caravana
- 4- terminal negativo
- 5- terminal de tierra
- 6- terminal positivo
- 7- Entrada de red.
- 8- Encendido del arranque por llave
- 9- Batería
- 10- Corcho de combustible
- 11- Tirador de arranque
- 12- tapa del filtro de esponja
- 13- Rueda

- 14- Salida de escape.
- 15- Indicador de combustible
- 16- Tapón de llenado de combustible

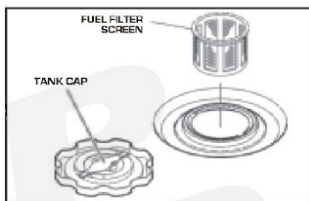
**Tenga en cuenta que no se suministra ninguna varilla de conexión a tierra con este generador.**

#### 6. Asamblea

##### 6.1. Montaje de la manija

6.1.1. Monte el soporte de la manija contra la posición de montaje del marco. Asegure con dos bolts .

6.1.2. Monte la manija en el soporte de la manija (asegúrese de que la manija esté hacia abajo para que pueda ver los orificios de montaje) y asegúrela con un perno y una tuerca.



##### 6.2. Montaje de la rueda

6.2.1. Sostenga la rueda en línea con los orificios de montaje en el marco.

6.2.2. Inserte el perno (asegúrese de que el perno tenga la arandela provista adjunta) desde el exterior de la rueda y a través del marco.

6.2.3. Apriete con la tuerca provista desde la parte posterior de la posición de montaje.

#### 7. CONTROLES PREVIOS A LA OPERACIÓN:

##### 7.1. CONTROL DEL COMBUSTIBLE DEL MOTOR:

**ADVERTENCIA: No cargue combustible mientras esté fumando o cerca de una llama abierta u otros peligros potenciales de incendio.**

7.1.1. Retire la tapa del combustible en la parte superior del generador para verificar el nivel de combustible.

7.1.2. Si el nivel de gasolina es demasiado bajo, añada solo gasolina sin plomo.

7.1.3. Asegúrese de que el filtro de combustible pantalla está en su lugar cuando repostaje l ing.

##### 7.2. CAPACIDAD DE COMBUSTIBLE PARA EL GEN5500A:

GEN5500A - 23L

7.2.1. Asegúrese de que los terminales de la batería estén conectados y gire la llave a la posición de arranque para arrancar el generador con arranque eléctrico (Fig 8).

#### **ADVERTENCIA:**

Asegúrese de revisar cada advertencia para evitar riesgos de incendio. No vuelva a llenar el tanque de combustible mientras el motor esté en marcha o caliente. Asegúrese de que la válvula de combustible esté cerrada antes de repostar. Tenga cuidado de no contaminar el combustible con polvo, suciedad, agua u otros líquidos / objetos extraños. Limpie bien todo el combustible derramado antes de encender el generador.

**Asegúrese de que el generador esté libre de llamas abiertas. No fume whist repostando el generador.**

### **7.3. COMPROBACIÓN DE PARTES COMPONENTES:**

Antes de arrancar el generador, compruebe lo siguiente:

7.3.1. Compruebe si hay fugas de combustible de cualquier parte del generador.

6.3.2. Compruebe que todas las tuercas y pernos estén bien apretados en el generador.

7.3.3. Compruebe si hay componentes dañados visibles en el generador.

6.3.4. Verifique que el generador no esté apoyado o adyacente a ningún cableado eléctrico.

### **7.4. COMPRUEBE EL ENTORNO DEL GENERADOR:**

#### **ADVERTENCIA:**

Asegúrese de revisar cada advertencia para evitar riesgos de incendio. Mantenga el área circundante libre de materiales inflamables u otros materiales peligrosos. Mantenga el generador a al menos 3 pies (1 metro) de Todos los edificios u otras estructuras. Solo opere el generador en un lugar seco y bien ventilado. Mantenga el tubo de escape libre de objetos extraños. Mantenga el generador alejado de llamas. No fume cerca del generador. Mantenga el generador en una superficie plana y nivelada.

No intente bloquear las salidas de aire del generador con ningún papel u otro material / objeto.

## **8. PROCEDIMIENTOS OPERATIVOS:**

### **8.1. ARRANCAR EL MOTOR GENERADOR:**

#### **Llave electrica de arranque**

8.1.1. Gire el motor "KEY" a la posición "ON".

FIGURA 1

8.1.2. Abra la válvula del tanque de combustible.

FIGURA 2

8.1.3. Gire la palanca del estrangulador a la posición "CERRADO" si el motor del generador está frío. Fig. 3

8.1.4. Gire la llave a la posición "Inicio" para iniciar el generador

8.1.5. Si el motor del generador no arranca después de varios intentos, repita por encima de los procedimientos con el botón del estrangulador devuelto a la posición "ABIERTO". FIG.4

#### **Arranque manual**

8.1.6. Repita los pasos 7.1.1 hasta 7.1.3.

8.1.7. Tire del motor de arranque de retroceso hasta que se sienta resistencia. FIG.5

8.1.8. Este es el punto de compresión. Vuelva a colocar el asa en su posición original y, a continuación, tire rápidamente.

8.1.9. Si el generador no se inicia después de varios intentos, repita los procedimientos anteriores con la perilla del cebador devuelta a la posición "ABIERTO". FIG.4

8.1.10. No tire de la cuerda del arrancador de retroceso completamente.

8.1.11. Después de encender el generador, deje que la manija de arranque vuelva a su posición original mientras se mantiene en la manija.

### **8.2. USANDO EL PODER ELÉCTRICO: ADVERTENCIA:**

Asegúrese de que el aparato esté apagado antes de conectarlo al generador.

No mueva el generador mientras está funcionando.

### **8.3. Deteniendo el generador:**

8.3.1. Apague el interruptor de encendido del equipo eléctrico y desenchufe el cable del receptáculo del generador.

8.3.2. Gire la llave a la posición "OFF". Fig 6

### **8.4. USANDO EL PODER ELÉCTRICO: ADVERTENCIA:**

Asegúrese de que el aparato esté apagado antes de conectarlo al generador.

No mueva el generador mientras está funcionando.

## 8.5. Deteniendo el generador:

8.4.1. Apague el interruptor de encendido del equipo eléctrico y desenchufe el cable del receptor del generador.

8.4.2. Gire la llave a la posición "OFF". Fig 6

8.4.3. Cierre la válvula de combustible. Fig 7

## 9. INFORMACIÓN DE LA VIGA:

9.1. Algunos aparatos necesitan una "oleada" de energía al arrancar. Esto se conoce comúnmente como una carga "LAGGING".

9.2. Esto significa que la cantidad de energía eléctrica necesaria para encender el aparato puede exceder la cantidad necesaria para mantener su uso.

9.3. Los aparatos y herramientas eléctricas normalmente vienen con una etiqueta que indica el voltaje, ciclos / Hz, amperaje (amperios) y la energía eléctrica necesaria para hacer funcionar el aparato o la herramienta.

9.4. Consulte con su sucursal más cercana si tiene preguntas con respecto a las sobrecargas de energía de ciertos aparatos o herramientas eléctricas.

9.5. Las cargas eléctricas, como las lámparas incandescentes y las placas calientes, requieren la misma potencia de arranque que la necesaria para mantener su uso. Esto se conoce comúnmente como una carga "LÍDER"

9.6. Las cargas como las lámparas fluorescentes con arrancadores requieren de 1,5 a 2 veces el vataje indicado durante el arranque.

9.7. Los motores eléctricos requieren una gran corriente de arranque. Los requisitos de potencia dependen del tipo de motor y su uso. Una vez que se alcanza la "potencia" suficiente para arrancar el motor, el aparato requerirá solo un -50% de la potencia para continuar funcionando.

9.8. La mayoría de las herramientas eléctricas requieren de 1.5 a 3 veces su vataje para funcionar bajo carga durante el uso. Cargas tales como bombas sumergibles y compresores de aire requieren Una fuerza muy grande para empezar. Necesitan de 3 a 5 veces la potencia normal de funcionamiento para comenzar.

## 10. HORARIO DE MANTENIMIENTO:

**PARA TODO SU SERVICIO, MANTENIMIENTO Y CONSULTAS DE GARANTÍA, POR FAVOR CONTACTE CON EL HOGAR CREATIVO. POR FAVOR, CONSULTE LA PÁGINA POSTERIOR PARA LOS DETALLES DE CONTACTO**

### 10.1. INSPECCIÓN DIARIA:

Antes de encender el generador, compruebe los siguientes elementos de servicio:

10.1.1. Compruebe si hay suficiente combustible

10.1.2. Vibración excesiva, ruido.

10.1.3. Tornillos sueltos o rotos

10.1.4. Fuga de combustible

10.1.5. Entorno seguro

### 10.2. MANTENIMIENTO PERIÓDICO:

El mantenimiento periódico es vital para el funcionamiento seguro y eficiente del generador. Consulte la siguiente tabla para ver los intervalos de mantenimiento periódico.

**TAMBIÉN ES NECESARIO QUE EL USUARIO DE ESTE GENERADOR REALICE EL MANTENIMIENTO Y LOS AJUSTES EN LAS PIEZAS RELACIONADAS CON LAS EMISIONES LISTADAS A CONTINUACIÓN PARA MANTENER EL EFECTIVO DEL SISTEMA DE CONTROL DE EMISIONES.**

El sistema de control de emisiones consta de las siguientes partes:

- (1) Carburador y piezas internas
- (2) Sistema de enriquecimiento de arranque en frío, (si corresponde)
- (3) Colector de admisión, (si corresponde)
- (4) Elementos del filtro de aire
- (5) Bujía
- (6) Sistema de encendido magneto o electrónico (si corresponde)
- (7) Sistema de avance / retardo de chispa, (si corresponde)
- (8) Colector de escape, (si corresponde)
- (9) Mangueras, correas, conectores y montajes.



Artículos de mantenimiento	Cada 8 h nuestros (Diario)	Cada 20ho- ras	Cada 100h nuestro (Semanal)	Cada 200hnues- tros (Mensual)	Cada 500horas	Cada 1000horas
Limpie el genera- dor y revise torni- los y nueces	●					
Bujía limpia			●			
Filtro de aire limpio			●			
Reemplace el elemento del filtro de aire				●		
Filtro de combus- tible limpio				●		
Limpiar y ajustar la bujía. y elec- trodos				●		
Reemplace la bujía					●	
Retire el carbón del cilindrocabeza (nota 1)						●
Limpie y ajuste la válvula sclaro (nota 2)						●
Limpiar y ajustar- carburador t o (nota 2)					●	
Limpiar y reemp- lazar el carbono cepillos					●	
Reemplace las líneas de combus- tible					●	
Motor de revisión (nota 2)	Si y cuando sea necesario					

El programa de mantenimiento indicado en la tabla se basa en el funcionamiento normal del generador. En caso de que el generador funcione en condiciones extremadamente polvorientas o en condiciones de carga más pesadas , los intervalos de mantenimiento deben ser ajustados. Esto dependerá de la contaminación del aceite, la obstrucción de los elementos del filtro y el desgaste de las piezas.

#### 10.2.1. Tabla de mantenimiento periódico

### 11. MANTENIMIENTO “CÓMO - A”

#### 11.1. FILTRO DE AIRE DE LIMPIEZA:

#### PRECAUCIÓN

No lave los elementos con queroseno, gasolina o

aceite.

Un filtro de aire sucio dificultará el arranque del generador. Se w enfermo también hacer que el generador de bajo realizar y puede causar un daño permanente. Mantenga siempre limpio el elemento del filtro de aire.

10.1.1. El elemento de espuma de uretano se debe lavar con un detergente de limpieza. Después de limpiarlo, asegúrese de que esté seco antes de devolver a instalarlo. Por favor limpie cada 100 horas.

10.1.2. Limpie el elemento de papel golpeándolo y soplando suavemente para eliminar la suciedad y el polvo. Nunca utilice aceite para limpiar elemento de papel . Por favor limpie cada 50 horas y reemplace cada 200 horas

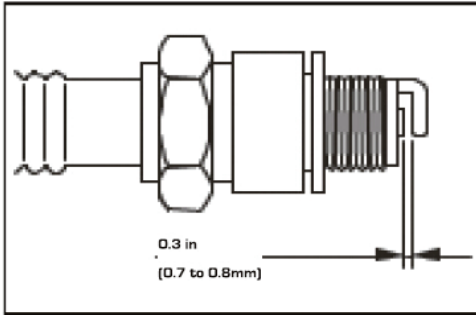
Por favor, limpiar los elementos del filtro de aire con mayor frecuencia cuando se opera en el polvo y el medio ambiente s.

## 11.2. LIMPIEZA Y AJUSTE DEL ENCHUFE DE CHISPA:

11.2.1. Si la bujía está obstruida con carbón, límpiela utilizando un limpiador de bujías o un cepillo de alambre.

11.2.2. Siempre revise la separación del electrodo después de limpiar.

Ajuste la separación a 0.03 pulgadas (0.7 mm a 0.8 mm).



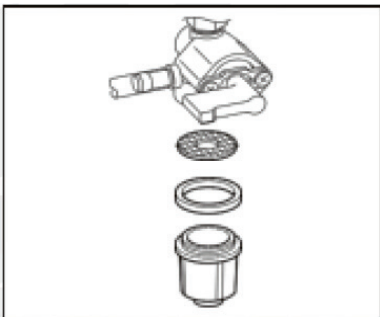
## 11.3. LIMPIEZA DEL COLADOR DE COMBUSTIBLE:

**Tenga en cuenta que el filtro de combustible elimina la suciedad y el agua del combustible.**

11.3.1. Retire la copa del colador y límpiela adecuadamente eliminando el agua y la suciedad acumulada.

11.3.2. Limpie la rejilla y la copa del colador con gasolina.

11.3.3. Sujete firmemente la copa al cuerpo principal y asegúrese de que no haya fugas de combustible.



## 11.4. REEMPLAZO DE LA MANGUERA DE COMBUSTIBLE:

### ADVERTENCIA

Tenga mucho cuidado al reemplazar la manguera de combustible, ya que la gasolina es extremadamente inflamable y peligrosa.

### NO FUME NI EXPONGA A LAS LLAMAS ABIERTAS mientras hace esto.

11.4.1. Asegúrese de cambiar la manguera de combustible cada 500 horas. No intente hacer esto mientras la válvula de combustible esté abierta.

11.4.2. Reemplace la manguera de combustible inmediatamente si se produce una fuga o si la manguera de combustible se ha perdido.

## 12. TRANSPORTE Y ALMACENAMIENTO:

12.1. Antes de transportar el generador, asegúrese de que la válvula de combustible esté en la posición "OFF" (apagado).

El contacto con un motor caliente o con un sistema de escape puede causar quemaduras graves o incendios, siempre permita que el motor se enfríe antes de transportarlo o almacenarlo. Siempre asegúrese de que el generador sea transportado o almacenado en una posición horizontal plana. La inclinación de la unidad puede provocar un derrame de combustible que puede provocar un incendio.

12.2. Antes de almacenar el generador por un período de tiempo prolongado, asegúrese de que el área de almacenamiento esté libre de exceso de agua, polvo y humedad. Por favor siga la siguiente tabla:

Tiempo de almacenamiento	Mantenimiento recomendado
0-1 meses	• No requiere preparación
1-2 meses	• Drene el combustible original en el tanque de combustible y reemplácelo con combustible limpio.
2-12 meses	• Drene el combustible original en el tanque de combustible y reemplácelo con combustible limpio • Vaciar combustible del carburador. • Vacíe el combustible de la copa de sedimentos de combustible
>12 meses	• Drene el combustible original en el tanque de combustible y reemplácelo con combustible limpio • Vaciar combustible del carburador. • Vacíe el combustible de la copa de sedimentos de combustible • Retire la bujía y vierta una cucharadita de aceite de motor de 4 tiempos en el cilindro. Gire el motor lentamente tirando del arrancador de retroceso. Vuelva a instalar la bujía. • Después de retirarlo del almacenamiento, drene el combustible almacenado en un recipiente adecuado y reemplácelo con combustible nuevo antes de comenzar.
<ul style="list-style-type: none"> <li>• Drene el carburador aflojando el tornillo de drenaje. Escurrir el combustible en un recipiente adecuado. Vuelva a instalar el tapón de drenaje.</li> <li>• Después de haber apagado el corcho de combustible, retire la taza de sedimentación, vacíe el combustible, vuelva a instalar la taza y asegúrela correctamente.</li> </ul>	

acción. Si el generador aún no arranca o genera electricidad, contáctese con CREATIVE HOUSEWARES (vea la página posterior de este manual para obtener los detalles de contacto)

#### Quando el motor no arranca:

Compruebe si la palanca del estrangulador está en suposición correcta	Coloque la palanca del estrangulador en la posición "CERRADO"
Compruebe si el corcho de combustible Esta abierto	Si está cerrado, ábrelo
Compruebe el nivel de combustible	Si el depósito de combustible está vacío, rellenalos <b>PRECAUCION:</b> Nosobrellenar
Compruebe si el motor el interruptor está en el "OFF" posición	Gire el interruptor del motor a la posición "ON".
Asegúrese de que el generador no esté conectado a un aparato.	Si está conectado a un aparato, apague el Encienda el interruptor y desconéctelo.
Prueba para ver si la chispa tapa del enchufe está suelta.	Si está suelta, empuje el Tapa de bujía de nuevo t ight
Compruebe la bujía para acumulación de carbono	

**NUNCA GUARDE EL GENERADOR DENTRO DE UNA CASA O OFICINA. NO GUARDE EL GENERADOR DONDE ES SUSTENTABLE A LA LLUVIA O AL AGUA.**

#### 13. SOLUCIÓN DE PROBLEMAS:

Si el motor del generador no arranca después de varios intentos y si no hay electricidad disponible en la toma de salida, verifique la tabla a continu-

## **Reciclaje**

Estos productos eléctricos, cables, baterías, embalajes y el manual no deben mezclarse con la basura doméstica general. Para un reciclaje adecuado, lleve estos productos a la oficina de **Creative Housewares** más cercana, donde serán aceptados para reciclaje sin cargo.

Alternativamente, comuníquese con su autoridad local o con el servicio de eliminación de residuos domésticos para obtener más detalles sobre el punto de recolección designado más cercano. La eliminación correcta del producto ahorra recursos y evita efectos negativos en la salud humana y el medio ambiente.

**GÉNÉRATEUR  
GEN5500A****IMPORTANT:**

Merci d'avoir acheté un groupe électrogène à essence Casals (ci-après dénommé le «générateur»).

Ce manuel vous aidera à utiliser et à entretenir votre groupe électrogène. Ce manuel est la dernière version. Avec l'amélioration continue et la mise à niveau de ce produit, le fabricant se réserve le droit de modifier ce manuel sans préavis. Le fabricant n'assume aucune responsabilité pour les informations incorrectes contenues dans ce manuel.

Ce manuel fait partie intégrante du générateur. Lorsque la génératrice est transférée à d'autres personnes, ce manuel doit être remis au nouveau propriétaire.

Certaines informations importantes dans ce manuel seront indiquées de la manière suivante (voir ci-dessous). Les utilisateurs doivent prêter une attention particulière à ces instructions.

**La gamme de générateurs CAS ALS est sûre et fiable , mais une utilisation incorrecte de ces produits peut provoquer des blessures et / ou endommager votre machine.**

**Veillez lire attentivement ce manuel avant de l'utiliser car ce produit est tenu de fonctionner strictement conformément à ce manuel.**

**AVIS IMPORTANTS:****VEUILLEZ PORTER UNE ATTENTION PARTICULIÈRE AUX DÉCLARATIONS PRÉCÉDENTES PAR LES MOTS SUIVANTS:**

Conseils de sécurité et avertissements!  
Lisez attentivement ces instructions avant de mettre la génératrice portable en marche et conservez-les pour référence ultérieure . Le non respect de ces instructions peut entraîner un accident. L'utilisation de cette machine ne sera sûre et durable que si vous suivez ces instructions. L'utilisation de cette génératrice portable n'est PAS recommandée à des fins commerciales et industrielles.

**1. PRECAUTIONS GENERALES DE SECURITE:**

- 1.1. Ce générateur n'est pas destiné à être utilisé par des personnes (y compris des enfants) ayant des capacités physiques, sensorielles ou mentales réduites, ou manquant d'expérience et de connaissances, à moins qu'une surveillance ou des instructions concernant leur utilisation par une personne responsable de leur sécurité ne leur ait été fournies.
- 1.2. La génératrice ne doit être utilisée que dans le respect des prescriptions de la documentation de fonctionnement et sous surveillance permanente.
- 1.3. Le générateur ne doit pas être utilisé à l'intérieur!
- 1.4. Le carburant (essence) est combustible et s'enflamme facilement. Ne pas effectuer de ravitaillement en carburant pendant le fonctionnement.
- 1.5 N'utilisez le carburant spécifié que lorsque vous utilisez le générateur. (95 sans plomb) .
- 1.6. Ne pas faire le plein en fumant ou à proximité de flammes nues. Ne pas trop remplir ni renverser de carburant. Si cela se produit, nettoyez correctement le carburant sur et autour du générateur avant de l'utiliser.
- 1.7. Faites attention autour de la génératrice car certaines parties du moteur à combustion interne sont chaudes et peuvent causer des brûlures. Faites attention à tous les signes d'avertissement affichés sur le groupe électrogène.
- 1.8. Les gaz d'échappement du moteur sont toxiques. Ne pas faire fonctionner la génératrice dans une pièce non ventilée
- 1.9. Vérifiez régulièrement que les boulons et les écrous sont correctement serrés car ils pourraient perdre à cause des vibrations du générateur pendant l'utilisation.
- 1.10. Avant d'utiliser le générateur, assurez-vous que vous avez vérifié le programme d'entretien périodique dans le manuel d'utilisation.
- 1.11. Faites attention au câblage ou aux rallonges du générateur au périphérique connecté. Si le fil est sous la génératrice ou en contact avec une pièce vibrante, il peut se casser et éventuellement provoquer un incendie, un épuisement de la génératrice ou un risque de choc électrique. Remplacez immédiatement les cordons endommagés ou usés.
- 1.12. Assurez-vous que les spécifications du cordon d'extension que vous utilisez sont compatibles avec le générateur.
- 1.13. Ne pas utiliser sous la pluie, dans des conditions humides ou mouillées ou avec des mains mouillées. L'opérateur peut subir un choc électrique grave si le générateur est humide.

1.14. S'il est humide, essayez-le bien avant de commencer. Ne pas verser de l'eau directement sur le générateur, ni laver avec de l'eau.

1.15. Ne connectez pas le générateur au réseau électrique.

1.16. Gardez les enfants et tous les passants à une distance de sécurité du générateur lors de leur utilisation.

1.17. Il est absolument essentiel que vous connaissiez et compreniez l'utilisation sûre et appropriée de l'outil ou de l'appareil électrique que vous souhaitez connecter au générateur. Tous les opérateurs doivent lire, comprendre et suivre le manuel d'utilisation de l'outil / de l'appareil .

Les applications et les limites des outils et des appareils doivent être comprises. Conservez tous les manuels d'instructions et dans un endroit sûr pour pouvoir vous y référer ultérieurement.

1.18. Toujours éteindre le disjoncteur de la génératrice quand il n'est pas utilisé.

## 2. INFORMATIONS DE SÉCURITÉ ÉLECTRIQUE:

2.1. Les équipements électriques, y compris les câbles, les cordons et les fiches, ne doivent pas être défectueux. S'il vous plaît vérifier avant d'utiliser.

2.2. Ne branchez pas le générateur directement dans une prise murale.

2.3. Le générateur ne doit pas être connecté à d'autres sources telles que le réseau d'alimentation de la compagnie d'électricité. Dans cas particuliers où une connexion en attente à des systèmes électriques existants ou une intégration avec ceux-ci est prévue, notez qu'il est légalement obligatoire que ces connexions ou cette intégration ne puissent être effectuées que par un technicien qualifié.

2.4. La protection contre les chocs électriques dépend des disjoncteurs spécialement adaptés à

la génératrice. Si un disjoncteur doit être remplacé, il doit être remplacé par un disjoncteur ayant des caractéristiques nominales et des performances identiques.

2.5. En raison de fortes contraintes mécaniques, n'utilisez que des câbles robustes et flexibles .

2.6 Si le générateur est de construction de classe II, le générateur ne doit pas nécessairement être mis à la terre.

2.7 Ensembles de rallonge de cordon:

2.7.1. Un câble flexible de 1 mm<sup>2</sup> permet de tirer un maximum de 10A à condition que le câble ne dépasse pas 25 m.

2.7.2. Un câble flexible de 1,5 mm<sup>2</sup> permet de tirer un maximum de 10a à condition que le câble ne dépasse pas 35 m .

2.7.3. Un câble flexible de 1,5 mm<sup>2</sup> permet de tirer un maximum de 16a à condition que le câble ne dépasse pas 20 m .

2.7.4. Un câble flexible de 2,5 mm<sup>2</sup> permet de tirer un maximum de 10a à condition que le câble ne dépasse pas 65 m .

2.7.5. Un câble flexible de 2,5 mm<sup>2</sup> permet de tirer un maximum de 16a à condition que le câble ne dépasse pas 45 m .

2.7.6. Un câble flexible de 4mm<sup>2</sup> permet de tirer un maximum de 10a à condition que le câble ne dépasse pas 100 m .

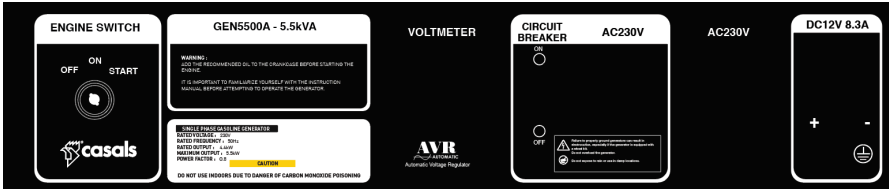
2.7.7. Un câble flexible de 4mm<sup>2</sup> permet de tirer un maximum de 16 a à condition que le câble ne dépasse pas 65 m.

## 2.8. DROP DANS LES CORDONS D'EXTENSION ÉLECTRIQUES:

Quand une longue rallonge électrique est utilisée pour connecter un appareil ou un outil au générateur, une certaine chute ou perte de tension survient dans la rallonge, ce qui réduit la tension efficace disponible pour l'appareil ou l'outil.

Section nominale	A.W.G	Courant admissible	Nombre de normes / jour de stand.	Résistance /100m	Ampère courant						Chute de tension	
					1A	3A	5A	8A	10A	12A		15A
mm2	No.	A	No./mm	/100m	1A	3A	5A	8A	10A	12A	15A	
0.75	18	7	30/0.18	2.477	2.5V	8V	12.5V					
1.27	16	12	50/0.6	1.486	1.5V	5V	7.5	12V	15V	18V		
2	14V	17	37/0.26	0.952	1V	3V	5V	8V	10V	12V	15V	
3.5	12 to 10	23	45/0.32	0.517		15V	2.5V	4V	5V	6.5V	7.5V	
5.5	10 to 8	35	70/0.32	70/0.32		1V	2V	2.5V	3.5V	4V	5V	

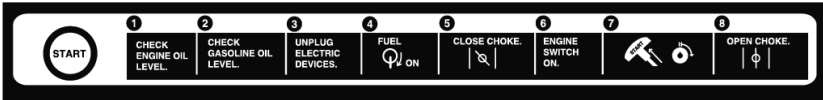
### 3. STICKERS DE SÉCURITÉ ET EXPLICATIONS:



Warning Label



Warning Label



Warning Label



Warning Label



Warning Label



Warning Label



Warning Label



Warning Label



Warning Label

#### 4. SPÉCIFICATIONS:

Générateur à essence		GEN5500A
Puissance générée (AC)		230V - 50Hz
Nominale maximale performance	W	4400
Performance permanente	W	4400
Rotation / ralenti (+/- 5%)	RPM	3000/minute
Performancenominale du moteur	HP	13
Type de moteur Cylindrée		4-stroke
Système de refroidissement	cm2	389
Degré de protection		IP23
Système de mise à feu		TCI
Réservoir d'essence	L	23
Type de carburant		Unleaded
Poids (Hors carburant et huile)	kg	80
Dimensions	cm	680x520x540
Niveau de bruit	dB (A)	72
Classe de protection		I

Les spécifications sont sujettes à modification sans préavis.

#### 5. COMPOSANTS:

- 1- poignées
- 2- Prise de courant pour caravane
- 3- Toma de corriente de caravana
- 4- Terminal négatif
- 5- Borne de terre

- 6- Terminal positif
- 7- Prise d'alimentation
- 8- Allumage à clé
- 9- Batterie
- 10- liège combustible
- 11- Poignée de démarrage
- 12- couvercle du filtre en éponge
- 13- Roues
- 14- Sortie d'échappement
- 15- Jauge de carburant
- 16- bouchon de remplissage

**Veillez noter qu'aucune tige de mise à la terre n'est fournie avec ce générateur.**

#### 6. Assemblée

##### 6.1. Assemblage de la poignée

6.1.1. Montez le support de la poignée contre la position de montage du cadre. Sécurisé avec deux bouteilles .

6.1.2. Montez la poignée sur son support (assurez-vous que la poignée est orientée vers le bas afin de pouvoir voir les trous de montage) et fixez-la avec un boulon et un écrou.

##### 6.2. Roue assemblée

6.2.1. Tenez la roue alignée avec les trous de montage du cadre.

6.2.2. Insérez le boulon (assurez-vous que la rondelle fournie est bien fixée sur le boulon) depuis l'extérieur de la roue et à travers le cadre.

6.2.3. Serrer avec l'écrou fourni à l'arrière de la position de montage.

#### 7. VÉRIFICATIONS AVANT UTILISATION:

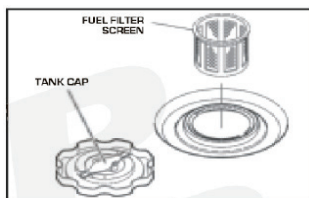
##### 7.1. CONTROLE DU CARBURANT MOTEUR:

**AVERTISSEMENT: Ne faites pas le plein d'essence en fumant ou à proximité d'une flamme nue ou de tout autre risque d'incendie.**

7.1.1. Retirez le bouchon de carburant situé en haut du générateur pour vérifier le niveau de carburant.

7.1.2. Si le niveau d'essence est trop bas, ne remplissez que d'essence sans plomb.

7.1.3. Assurez -vous que le filtre à carburant de l'écran est en place lorsque on refait le plein.





### **7.3. CAPACITÉ DE CARBURANT POUR LE GEN5500A:**

GEN5500A - 23L

7.2.1. Assurez-vous que les bornes de la batterie sont connectées et tournez la clé en position de démarrage pour démarrer le générateur avec le démarrage électrique. (Fig 8)

#### **ATTENTION:**

Assurez-vous de lire chaque avertissement afin de prévenir les risques d'incendie. Ne remplissez pas le réservoir de carburant tant que le moteur tourne ou est chaud. Veuillez vous assurer que le robinet d'essence est fermé avant de faire le plein. Veillez à ne pas contaminer le carburant avec de la poussière, de la saleté, de l'eau ou d'autres liquides / objets étrangers. Veuillez nettoyer soigneusement tout le carburant renversé avant de démarrer le générateur.

**Assurez-vous que le générateur est à l'écart des flammes nues. Ne pas fumer pendant le ravitaillement en carburant du générateur.**

### **7.4. VÉRIFICATION DES ÉLÉMENTS COMPOSANTS:**

Avant de démarrer le générateur, veuillez vérifier les points suivants:

7.4.1. Vérifiez que du carburant ne fuit d'aucune partie du générateur.

6.4.2. Vérifiez que tous les écrous et boulons sont bien serrés sur le générateur.

7.4.3. Recherchez les composants endommagés visibles sur le générateur.

6.4.4. Vérifiez que la génératrice ne repose pas sur ou à proximité d'un câblage électrique.

### **7.5. VÉRIFIEZ LE GÉNÉRATEUR AUX ENVIRONS:**

#### **ATTENTION:**

Assurez-vous de lire chaque avertissement afin de prévenir les risques d'incendie. Gardez la zone environnante exempte de produits inflammables ou autres matières dangereuses. Gardez le générateur à au moins 1 mètre (3 pieds) de tous les bâtiments et / ou autres structures. Utilisez le générateur uniquement dans un endroit sec et bien ventilé. Gardez le tuyau d'échappement à l'écart de tout corps étranger. Gardez le générateur éloigné des flammes nues. Ne fumez pas à proximité du générateur. Gardez le générateur sur une surface plane et à niveau.

N'essayez pas de bloquer les bouches d'aération du générateur avec du papier ou tout autre matériau / objet.

### **8. PROCÉDURES DE FONCTIONNEMENT:**

#### **8.1. DÉMARRAGE DU MOTEUR DU GÉNÉRATEUR:**

##### **Début de clé électrique**

8.1.1. Tournez le moteur "KEY" à la position "ON". FIG. 1

8.1.2. Ouvrez le robinet du réservoir de carburant. FIG.2

8.1.3. Tournez le levier de starter sur la position «FERMÉ» si le moteur de la génératrice est froid. Fig.3

8.1.4. Tournez la clé sur la position «Start» pour démarrer le générateur

8.1.5. Si le moteur de la génératrice ne démarre pas après plusieurs tentatives, répétez les procédures ci-dessus avec le bouton d'étranglement remis à la position «OPEN». FIG.4

##### **Démarrage manuel**

8.1.6. Répétez les étapes 7.1.1 à 7.1.3

8.1.7. Tirez sur le moteur de démarrage du recul jusqu'à sentir une résistance. FIG.5

8.1.8. C'est le point de compression. Remettez la poignée dans sa position initiale, puis tirez rapidement.

8.1.9. Si le générateur ne parvient pas à démarrer après plusieurs tentatives, répétez les procédures ci-dessus avec le bouton d'étranglement ramené à la position «OPEN». FIG.4

8.1.10. Ne tirez pas complètement la corde du lanceur à rappel.

8.1.11. Après le démarrage de la génératrice, laissez la poignée de démarrage revenir à sa position initiale tout en la maintenant.

#### **8.2. UTILISATION DE L'ÉNERGIE ÉLECTRIQUE:**

#### **ATTENTION:**

Assurez-vous que l'appareil est éteint avant de le brancher à la génératrice. Ne déplacez pas le générateur pendant qu'il est en marche.

#### **8.3. ARRÊT DU GÉNÉRATEUR:**

8.3.1. Eteignez l'interrupteur de l'équipement électrique et débranchez le cordon de la prise du générateur.

8.3.2. Tournez la clé sur la position «OFF». Fig 6

#### **8.2. UTILISATION DE L'ÉNERGIE ÉLECTRIQUE:**

## **ATTENTION:**

Assurez-vous que l'appareil est éteint avant de le brancher à la génératrice.

Ne déplacez pas le générateur pendant qu'il est en marche.

### **8.3. ARRÊT DU GÉNÉRATEUR:**

8.3.1. Eteignez l'interrupteur de l'équipement électrique et débranchez le cordon de la prise du générateur.

8.3.2. Tournez la clé sur la position «OFF». Fig 6

8.3.3. Fermez le robinet d'essence. Fig 7

### **9. INFORMATIONS SUR LA WATTAGE:**

9.1. Certains appareils ont besoin d'une «poussée» d'énergie pour démarrer. Ceci est communément appelé une charge "LAGGING".

9.2. Cela signifie que la quantité d'énergie électrique nécessaire pour démarrer l'appareil peut dépasser la quantité nécessaire pour maintenir son utilisation.

9.3 Les appareils et outils électriques sont généralement accompagnés d'une étiquette indiquant la tension, les cycles / Hz, l'ampérage (ampères) et l'alimentation électrique nécessaire au fonctionnement de l'appareil ou de l'outil.

9.4. Vérifiez auprès de votre succursale la plus proche si vous avez des questions concernant les surtensions de certains appareils ou outils électriques.

9.5 Les charges électriques telles que les lampes à incandescence et les plaques chauffantes nécessitent la même puissance en watts que celle nécessaire pour maintenir leur utilisation. C'est ce que l'on appelle généralement une charge «LEADING».

9.6. Les charges telles que les lampes fluorescentes avec démarreurs nécessitent 1,5 à 2 fois la puissance en watts indiquée au démarrage.

9.7. Les moteurs électriques nécessitent un courant de démarrage important. Les besoins en puissance dépendent du type de moteur et de son utilisation. Une fois que la puissance nécessaire au démarrage du moteur est atteinte, l'appareil n'a besoin que de + -50% de la puissance en watts pour continuer à fonctionner.

9.8. La plupart des outils électriques nécessitent 1,5 à 3 fois leur puissance pour fonctionner sous charge pendant l'utilisation. Les charges telles que les pompes immergées et les compresseurs d'air nécessitent une très grande force pour commencer. Ils ont besoin de 3 à 5 fois la puissance en fonctionnement normale pour pouvoir commencer.

### **10. CALENDRIER DE MAINTENANCE:**

**POUR TOUTES VOS DEMANDES DE SERVICE, ENTRETIEN ET GARANTIE, VEUILLEZ CONTACTER CREWAN HOUSEWARES. VEUILLEZ VOUS RÉFÉRER À LA PAGE ARRIÈRE POUR LES DÉTAILS DE CONTACT.**

#### **10.1. INSPECTION QUOTIDIENNE:**

Avant de regarder le générateur, veuillez vérifier les éléments de service suivants:

10.1.1. Vérifiez s'il y a assez de carburant

10.1.2. Vibration excessive, bruit

10.1.3. Boulons desserrés ou cassés

10.1.4. Fuite de carburant

10.1.5. Environnement sécuritaire

#### **10.2 MAINTENANCE PÉRIODIQUE:**

Un entretien périodique est vital pour le fonctionnement sûr et efficace du groupe électrogène. Consultez le tableau ci-dessous pour connaître les intervalles de maintenance périodiques.

**IL EST ÉGALEMENT NÉCESSAIRE QUE L'UTILISATEUR DE CE GÉNÉRATEUR RÉALISE LA MAINTENANCE ET LES RÉGLAGES SUR LES PARTIES LIÉES À L'ÉMISSION LISTÉES CI-DESSOUS AFIN DE MAINTENIR LE SYSTÈME DE RÉDUCTION DES ÉMISSIONS.**

Le système de contrôle des émissions comprend les parties suivantes:

- (1) carburateur et pièces internes
- (2) Système d'enrichissement à démarrage à froid, (le cas échéant)
- (3) Tubulure d'admission (le cas échéant)
- (4) Éléments de filtre à air
- (5) Bougie d'allumage
- (6) Système d'allumage magnétique ou électronique (le cas échéant)
- (7) Système d'avance / retard à l'allumage (le cas échéant)
- (8) Collecteur d'échappement (si applicable)
- (9) Tuyaux, courroies, raccords et assemblages

Le schéma de maintenance indiqué dans le tableau est basé sur le fonctionnement normal du générateur. Si le groupe électrogène est utilisé dans des conditions de poussière extrême ou de charges plus lourdes, les intervalles de maintenance doivent être raccourcis. Cela dépendra de la contamination de l'huile, de l'encrassement des éléments filtrants et de l'usure des pièces.

### 10.2.1. Tableau de maintenance périodique

Articles de maintenance	Tous les 8 heures (Du quotidien)	Tous les 20 heures	Tous les 100 heures (Hebdomadaire)	Tous les 200 Heures (Mensuel)	Tous les 500 Heures	Tous les 1000 Heures
Nettoyer le générateur et vérifier boulons et écrous	●					
Bougie d'allumage propre			●			
Filtre à air propre			●			
Remplacer l'élément du filtre à air				●		
Filtre à carburant propre				●		
Nettoyer et régler la bougie et électrodes				●		
Remplacer la bougie					●	
Retirer le carbone du cylindre tête (note 1)						●
Nettoyer la vanne et régler sance clair (note 2)						●
Nettoyer et ajuster carburateur ou (note 2)					●	
Nettoyer et remplacer le carbone des pinceaux					●	
Remplacer les conduites de carburant					●	
Moteur de révision (note 2)	<b>Si et quand nécessaire</b>					

## 11. ENTRETIEN «COMMENT»

### 11.1. NETTOYAGE DU FILTRE À AIR:

#### MISE EN GARDE

Ne lavez pas les éléments au kérosène, à l'essence ou à l'huile.

Un filtre à air encrassé rendra difficile le démarrage du générateur. Cela entraînera également un sous-fonctionnement de la génératrice et pourrait causer des dommages permanents. Toujours garder l'élément du filtre à air propre.

11.1.1. L'élément en mousse uréale doit être lavé avec un détergent. Après le nettoyage, assurez-vous qu'il est correctement séché avant de le réinstaller. S'il vous plaît nettoyer toutes les 100 heures.

11.1.2. Nettoyez l'élément en papier en tapotant dessus et en soufflant doucement pour enlever la saleté et la poussière. N'utilisez jamais d'huile pour nettoyer l'élément en papier. Veuillez nettoyer toutes les 50 heures et les remplacer toutes les 200 heures.

S'il vous plaît nettoyer plus souvent les éléments de filtre à air lors de l'utilisation dans un envi-

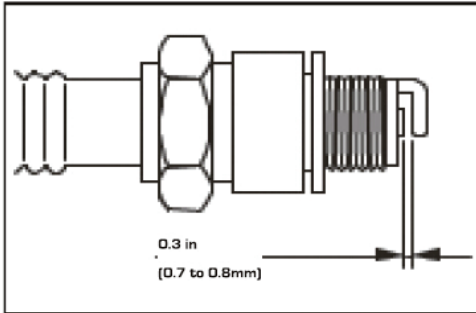
ronnement de poussière y s.

## 11.2 NETTOYAGE ET RÉGLAGE DE LA BOUGIE:

11.2.1. Si la bougie est obstruée par du carbone, nettoyez-la à l'aide d'un nettoyeur à fiche ou d'une brosse métallique.

11.2.2. Toujours vérifier l'écart entre les électrodes après le nettoyage.

Ajustez l'écartement à 0,03 pouce (0,7mm à 0,8mm).



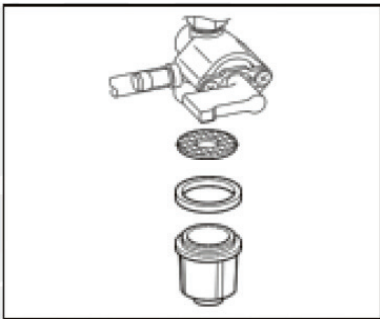
## 11.3 NETTOYAGE DE LA CRÉPINE À CARBURANT:

**Veillez noter que la poussière et l'eau dans le carburant sont éliminées par la crépine à carburant.**

11.3.1. Retirez la coupelle de la crépine et nettoyez-la correctement en éliminant l'eau et les saletés accumulées.

11.3.2. Nettoyez le tamis et la coupelle à l'essence.

11.3.3. Fixez bien le gobelet au corps principal et assurez-vous qu'il n'y a pas de fuite de carburant.



## 11.4. REMPLACEMENT DU TUYAU DE CARBURANT:

### ATTENTION

Faites très attention lorsque vous remplacez le tuyau d'essence car l'essence est extrêmement inflammable et dangereuse.

### NE PAS FUMER NI EXPOSER AUX FLAMMES NÉCESSAIRES.

11.4.1. Veuillez vous assurer que le tuyau d'essence est remplacé toutes les 500 heures. N'essayez pas de le faire tant que la soupape de carburant est ouverte.

11.4.2. Veuillez remplacer le tuyau d'essence immédiatement si une fuite se développait ou si le tuyau d'essence était périmé.

## 12. TRANSPORT ET STOCKAGE:

12.1. Avant de transporter la génératrice, veuillez vous assurer que le robinet de carburant est en position «OFF».

Le contact avec un moteur ou un système d'échappement chaud peut provoquer des brûlures graves ou des incendies. Laissez toujours le moteur refroidir avant de le transporter ou de le stocker. Assurez-vous toujours que la génératrice est transportée et / ou stockée dans une position horizontale à plat. L'inclinaison de l'unité peut provoquer un déversement de carburant pouvant provoquer un incendie.

12.2 Avant de stocker le groupe électrogène pendant une période prolongée, veuillez vous assurer que la zone de stockage est exempte d'eau, de poussière et d'humidité excessives. Veuillez suivre le tableau ci-dessous:

Temps de stockage	Maintenance recommandée
0-1 mois	• Aucune préparation requise
1-2 mois	• Vidangez le carburant d'origine dans le réservoir et remplacez-le par du carburant propre.
2-12 mois	• Vidangez le carburant d'origine dans le réservoir et remplacez-le par du carburant propre. • Vidange de carburant du carburateur • Videz le combustible de la coupelle à carburant .
> 12 mois	• Vidangez le carburant d'origine dans le réservoir et remplacez-le par du carburant propre. • Vidange de carburant du carburateur • Vider le combustible de la coupelle à carburant • Retirez la bougie d'allumage et versez une cuillère à thé d'huile moteur 4 temps dans le cylindre. Faites tourner le moteur lentement en tirant sur le lanceur à rappel. Réinstallez la bougie • Après le stockage, vidangez le carburant stocké dans un récipient approprié et remplacez-le par du carburant frais avant de commencer.

- Vidanger le carburateur en desserrant la vis de vidange. Videz le carburant dans un récipient approprié. Réinstallez le bouchon de vidange.
- Après avoir coupé le bouchon de carburant, enlevez le vase d'expansion, videz le carburant, puis réinstallez le vase et fixez-le correctement.

**NE JAMAIS STOCKER LE GÉNÉRATEUR DANS UNE MAISON OU UN BUREAU. NE PAS ENTREPOSER LE GÉNÉRATEUR LORSQU'IL EST SUSCEPTIBLE À LA PLUIE OU À L'EAU.**

**13. DÉPANNAGE:**

Si le moteur de la génératrice ne démarre pas après plusieurs tentatives et s'il n'y a pas d'électricité disponible sur la prise de sortie, veuillez consulter le tableau ci-dessous. Si le générateur ne parvient toujours pas à démarrer ou à générer de l'électricité, veuillez contacter CREATIVE HOUSEWARES (voir la dernière page de ce manuel pour les coordonnées).

**Lorsque le moteur ne parvient pas à démarrer:**

Vérifiez si le starter est dans sa position appropriée	Réglez le starter sur la position "FERME"
Vérifiez si le bouchon de carburant est ouvert	S'il est fermé, ouvrez-le
Vérifiez le niveau de carburant	Si le réservoir est vide, le remplir. ATTENTION: Ne pas déborder
Vérifiez si le moteur l'interrupteur est dans le "OFF" position	Tourner l'interrupteur du moteur à la position «ON».
Assurez-vous que le générateur n'est pas connecté à un appareil	S'il est connecté à un appareil, éteignez le allumez l'appareil et débranchez-le.
Testez pour voir si l'étincelle bouchon de bouchon est lâche	S'il est lâche, appuyez sur le bouton capuchon de bougie d'allumage avant t roite
Vérifiez la bougie pour accumulation de carbone	

**Recyclage**

Ces produits électriques, câbles, batteries, emballages et le manuel ne doivent pas être mélangés avec les déchets ménagers généraux. Pour un recyclage correct, veuillez apporter ces produits à votre bureau **Creative Housewares** le plus proche où ils seront acceptés pour recyclage gratuitement.

Si non, veuillez contacter votre autorité locale ou le service d'élimination des déchets ménagers pour plus de détails sur le point de collecte désigné le plus proche. Une élimination correcte des produits permet d'économiser des ressources et de prévenir les effets négatifs sur la santé humaine et l'environnement

**ROTEADOR  
GEN5500A****IMPORTANTE:**

Obrigado por adquirir um Conjunto Gerador de Gasolina Casals (doravante referido como o "gerador").

Este manual irá ajudá-lo a operar e manter seu gerador. Este manual é a versão mais recente. Com a melhoria contínua e a atualização deste produto, o fabricante se reserva o direito de modificar este manual sem aviso prévio. O fabricante não se responsabilizará por informações incorretas contidas neste manual.

Este manual é parte integrante do gerador. Quando o gerador é transferido para outros, este manual deve ser entregue ao novo proprietário.

Algumas informações importantes neste manual serão indicadas da seguinte maneira (veja abaixo). Os usuários devem prestar atenção especial a essas instruções.

**A gama de GERADORES CAS ALS é segura e confiável, mas o uso incorreto desses produtos pode causar ferimentos pessoais e / ou danos à sua máquina.**

**Por favor, leia atentamente este manual antes da operação, pois este produto é requerido para operar estritamente de acordo com este manual.**

**AVISOS IMPORTANTES:****POR FAVOR, PAGUE A ATENÇÃO ESPECIAL ÀS DECLARAÇÕES PRECEDIDAS PELAS SEGUINTE PALAVRAS:**

Conselhos de segurança e avisos!

Leia estas instruções cuidadosamente antes de ligar o gerador portátil e guarde-as para consulta futura. Não seguir e observar estas instruções pode levar a um acidente. O uso desta máquina só será seguro e duradouro se você seguir estas instruções. O uso deste gerador portátil NÃO é recomendado para fins comerciais e industriais.

**1. PRECAUÇÕES GERAIS DE SEGURANÇA:**

- 1.1. Este gerador não se destina ao uso por pessoas (incluindo crianças) com capacidades físicas, sensoriais ou mentais reduzidas, ou falta de experiência e conhecimento, a menos que tenham recebido supervisão ou instruções relativas ao uso do gerador por uma pessoa responsável pela sua segurança.
- 1.2. O gerador só pode ser operado observando os regulamentos da documentação de operação e sob supervisão permanente.
- 1.3. O gerador não deve ser usado em ambientes fechados!
- 1.4. Combustível (gasolina) é combustível e facilmente inflamável. Não execute o reabastecimento enquanto estiver em operação.
- 1.5. Utilize apenas o combustível especificado ao operar o gerador. (95 sem chumbo) .
- 1.6. Não reabasteça enquanto estiver fumando ou perto de chamas nuas. Não encha demais ou derrame combustível. Se isso acontecer, limpe o combustível e ligue o gerador adequadamente antes de operar.
- 1.7. Tenha cuidado ao redor do gerador, pois algumas partes do motor de combustão interna estão quentes e podem causar queimaduras. Preste atenção a todos os sinais de alerta exibidos no grupo gerador.
- 1.8. Os gases de escape do motor são tóxicos. Não opere o gerador em uma sala não ventilada
- 1.9. Verifique regularmente se os parafusos e porcas estão bem apertados, pois eles podem se perder devido à vibração do gerador durante o uso.
- 1.10. Antes de usar o gerador, verifique se você verificou o cronograma de manutenção periódica no manual do operador.
- 1.11. Preste atenção na fiação ou cabos de extensão do gerador para o dispositivo conectado. Se o fio estiver sob o gerador ou em contato com uma peça vibratória, ele poderá quebrar e possivelmente causar incêndio, queima do gerador ou risco de choque elétrico. Substitua os cabos danificados ou gastos imediatamente.
- 1.12. Certifique-se de que as especificações do cabo extensivo que você está usando sejam compatíveis com o gerador.
- 1.13. Não opere em condições de chuva, umidade ou umidade ou com as mãos molhadas. O operador pode sofrer choques elétricos graves se o gerador estiver molhado.

1.14. Se molhado, limpe e seque bem antes de começar. Não derrame a água diretamente sobre o gerador, nem lave com água.

1,15. Não conecte o gerador à rede elétrica.

1,16. Mantenha as crianças e todos os espectadores a uma distância segura do gerador enquanto estiverem em uso.

1,17. É absolutamente essencial que você conheça e compreenda o uso seguro e adequado da ferramenta ou do dispositivo que você pretende conectar ao gerador. Todos os operadores devem ler, entender e seguir o manual de operação da ferramenta / aparelho . As aplicações e limitações da ferramenta e dos aplicativos devem ser entendidas. Guarde todos os manuais de instruções e em um local seguro para referência futura.

1,18. Sempre desligue o disjuntor do gerador quando não estiver em uso.

## 2. INFORMAÇÕES DE SEGURANÇA ELÉTRICA:

2.1. Equipamentos elétricos, incluindo cabos, cabos e conexão de plugues, não devem estar com defeito. Por favor, verifique antes de usar.

2.2. Não conecte o gerador diretamente a uma tomada de parede .

2.3. O gerador não deve ser conectado a outras fontes, como a rede elétrica da empresa de energia. Em Em casos especiais em que a conexão de prontidão a sistemas elétricos existentes ou a integração com o mesmo se destina, observe que é um requisito legal que tais conexões ou integrações só possam ser executadas por um técnico qualificado.

2.4. A proteção contra choques elétricos depende de disjuntores especialmente adaptados ao gerador. Se um disjuntor precisar ser substituído, ele deverá ser substituído por um disjuntor que

possua classificações e características de desempenho idênticas.

2.5. Devido a tensões mecânicas elevadas, apenas deve ser usado um cabo flexível .

2.6. Se o gerador for da classe II, então o gerador não precisa ser aterrado.

2.7. Conjuntos de extensão de cabo:

2.7.1. Um cabo flexível de 1 mm2 pode extrair no máximo 10A, desde que o cabo não seja maior que 25m.

2.7.2. Um cabo flexível de 1,5 mm2 pode extrair um máximo de 10a, desde que o cabo não tenha mais de 35 m .

2.7.3. Um cabo flexível de 1,5 mm2 pode extrair um máximo de 16a, desde que o cabo não tenha mais que 20m .

2.7.4. Um cabo flexível de 2,5 mm2 pode extrair no máximo 10a desde que o cabo não tenha mais de 65m .

2.7.5. Um cabo flexível de 2,5 mm2 pode extrair no máximo 16a, desde que o cabo não tenha mais de 45 m .

2.7.6. Um cabo flexível de 4 mm2 pode extrair um máximo de 10a, desde que o cabo não tenha mais de 100m .

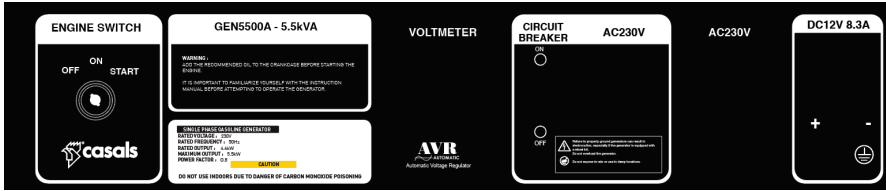
2.7.7. Um cabo flexível de 4 mm2 pode extrair um máximo de 16 a desde que o cabo não tenha mais de 65m.

## 2.8. GOTA EM CABOS DE EXTENSÃO ELÉTRICA:

Quando um cabo de extensão elétrico longo é usado para conectar um aparelho ou ferramenta ao gerador, uma certa quantidade de queda de tensão ou perda ocorre no cabo de extensão que reduz a tensão efetiva disponível para o aparelho ou ferramenta.

Seção nominal	A.W.G	Corrente elegível	Número de padrões / dia de stand.	Resistência	Amp atual							Queda de voltagem
					1A	3A	5A	8A	10A	12A	15A	
mm2	No.	A	No./mm	/100m	1A	3A	5A	8A	10A	12A	15A	
0.75	18	7	30/0.18	2.477	2.5V	8V	12.5V					
1.27	16	12	50/0.6	1.486	1.5V	5V	7.5	12V	15V	18V		
2	14V	17	37/0.26	0.952	1V	3V	5V	8V	10V	12V	15V	
3.5	12 to 10	23	45/0.32	0.517		15V	2.5V	4V	5V	6.5V	7.5V	
5.5	10 to 8	35	70/0.32	70/0.32		1V	2V	2.5V	3.5V	4V	5V	

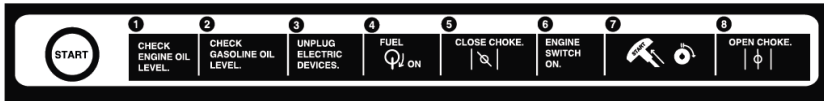
### 3. ETIQUETAS E EXPLICAÇÕES DE SEGURANÇA:



Warning Label



Warning Label



Warning Label



Warning Label



Warning Label



Warning Label



Warning Label



Warning Label



Warning Label



#### 4. ESPECIFICAÇÕES:

Gerador alimentado a gasolina		GEN5500A
Potência gerada (AC)		230V - 50Hz
Máximo nominal desempenho	W	4400
Desempenho permanente	W	4400
Rotação / ocioso (+/- 5%)	RPM	3000/minute
Desempenho nominal do motor	HP	13
Tipo de motor		4-tempos
Capacidade cúbica	cm2	389
Sistema de refrigeração		Refrigerado a ar
Grau de proteção		IP23
Sistema de ignição		TCI
Tanque de combustível	eu	23
Tipo de combustível		Sem chumbo
Peso (Excl combustível e óleo)	kg	80
Dimensões	cm	680x520x540
Nível de ruído	dB (A)	72
Aula de proteção		I

As especificações estão sujeitas a alterações sem aviso prévio.

#### 5. COMPONENTES:

- 1- Alças
- 2- 3 entrada de fase
- 3- Tomada para caravana
- 4- Terminal negativo
- 5- Terminal de terra
- 6- Terminal positivo
- 7- Entrada de energia principal
- 8- Ignição Start Key
- 9- Bateria
- 10 - Cortiça a Combustível
- 11- Puxe a alça de início
- 12- Tampa do filtro de esponja
- 13- Roda
- 14- Saída de Exaustão
- 15- Medidor de Combustível
- 16- Tampa de enchimento de combustível

**Por favor, note que nenhuma haste de aterramento é fornecida com este gerador.**

#### 6. Montagem

##### 6.1. Lidar com montagem

6.1.1. Monte o suporte da alça na posição de montagem da estrutura. Seguro com dois bolts.

6.1.2. Monte a alça no suporte da alça (certifique-se de que a alça esteja voltada para baixo para que você possa ver os furos de montagem) e prenda com um parafuso e uma porca.

##### 6.2. Montagem da roda

6.2.1. Mantenha a roda alinhada com os orifícios de montagem na estrutura.

6.2.2. Insira o parafuso (certifique-se de que o parafuso tenha a arruela fornecida) do lado de fora da roda e através da estrutura.

6.2.3. Aperte com a porca fornecida na parte de trás da posição de montagem.

#### 7. VERIFICAÇÕES PRÉVIAS À OPERAÇÃO:

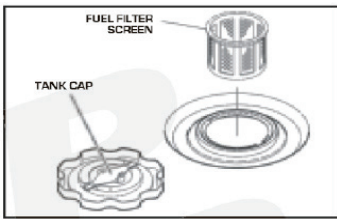
##### 7.1. VERIFICAÇÃO DO COMBUSTÍVEL DO MOTOR:

**ADVERTÊNCIA: Não reabasteça enquanto estiver fumando ou perto de uma chama aberta ou outros possíveis riscos de incêndio.**

7.1.1. Remova a tampa de combustível no topo do gerador para verificar o nível de combustível.

7.1.2. Se o nível de gasolina estiver muito baixo, ateste apenas gasolina sem chumbo.

7.1.3. Certifique-se que o filtro de combustível tela é no lugar quando reabastecer I ing.



### 7.3. CAPACIDADE DE COMBUSTÍVEL PARA O GEN5500A

GEN5500A - 23L

7.2.1. Certifique-se de que os terminais da bateria estão conectados e gire a chave para a posição inicial para iniciar o gerador com a partida elétrica. (Fig 8)

#### AVISO:

Certifique-se de rever cada aviso, a fim de evitar riscos de incêndio. Não recarregue o tanque de combustível enquanto o motor estiver funcionando ou quente. Por favor, verifique se a válvula de combustível está fechada antes de reabastecer. Tenha cuidado para não contaminar o combustível com poeira, sujeira, água ou outros líquidos / objetos estranhos. Por favor, limpe todo o combustível derramado antes de ligar o gerador.

**Certifique-se de que o gerador esteja livre de chamas abertas. Não fume whist reabastecer o gerador.**

### 7.4. VERIFICANDO PEÇAS DE COMPONENTE:

Antes de ligar o gerador, verifique o seguinte:

7.4.1. Verifique se há vazamento de combustível em qualquer parte do gerador.

6.4.2. Verifique se todas as porcas e parafusos estão bem apertados no gerador.

7.4.3. Verifique se há algum componente danificado visível no gerador.

6.4.4. Verifique se o gerador não está apoiado ou adjacente a qualquer fiação elétrica.

### 7,5. VERIFIQUE OS ARREDORES DO GERADOR:

#### AVISO:

Certifique-se de rever cada aviso, a fim de evitar riscos de incêndio. Mantenha a área ao redor livre de materiais inflamáveis ou outros materiais perigosos. Mantenha o gerador a pelo menos 3 pés (1 metro) de distância todos os edifícios e / ou outras estruturas. Opere o gerador apenas em uma área seca e bem ventilada. Mantenha o tubo de escape

afastado de todos os objetos estranhos. Mantenha o gerador longe de chamas abertas. Não fume próximo ao gerador. Mantenha o gerador em uma superfície plana e nivelada. Não tente bloquear as aberturas de ventilação do gerador com qualquer papel ou outro material / objetos.

## 8. PROCEDIMENTOS OPERACIONAIS:

### 8.1. ARRANQUE DO MOTOR DO GERADOR: Partida chave elétrica

8.1.1. Gire o motor "KEY" para a posição "ON". FIGURA 1

8.1.2. Abra a válvula do tanque de combustível. FIGURA 2

8.1.3. Gire a alavanca do afogador para a posição "FECHADA" se o motor do gerador estiver frio. Fig.3

8.1.4. Gire a chave para a posição "Start" para iniciar o gerador

8.1.5. Se o motor do gerador não ligar depois de várias tentativas, repita acima dos procedimentos com o botão do afogador voltado para a posição "ABERTO". FIG.4

#### Início manual

8.1.6. Repita as etapas 7.1.1 a 7.1.3

8.1.7. Puxe o motor de arranque de recuo até sentir resistência. FIG.5

8.1.8. Este é o ponto de compressão. Retorne a alça para sua posição original e, em seguida, puxe-a rapidamente.

8.1.9. Se o gerador não iniciar após várias tentativas, repita os procedimentos acima com o botão do afogador voltado para a posição "ABERTO". FIG.4

8.1.10. Não puxe completamente a corda do arranque de recuo.

8.1.11. Depois de ligar o gerador, deixe que a alavanca de partida retorne à sua posição original enquanto ainda segura a alavanca.

### 8.2. USANDO O PODER ELÉTRICO:

#### AVISO:

Certifique-se de que o aparelho esteja desligado antes de conectá-lo ao gerador. Não mova o gerador enquanto ele estiver funcionando.

### 8.3. PARANDO O GERADOR:

8.3.1. Desligue o interruptor de energia do equipamento elétrico e desconecte o cabo do receptáculo

do gerador.

8.3.2. Gire a chave para a posição "OFF". Fig 6

### **8.3. PARANDO O GERADOR:**

8.3.1. Desligue o interruptor de energia do equipamento elétrico e desconecte o cabo do receptáculo do gerador.

8.3.2. Gire a chave para a posição "OFF". Fig 6

8.3.3. Feche a válvula de combustível. Fig 7

### **9. INFORMAÇÃO DE WATTAGE:**

9.1. Alguns aparelhos precisam de um "surto" de energia ao iniciar. Isso é comumente conhecido como uma carga "LAGING".

9.2. Isso significa que a quantidade de energia elétrica necessária para ligar o aparelho pode exceder a quantidade necessária para manter seu uso.

9.3. Aparelhos elétricos e ferramentas normalmente vêm com uma etiqueta indicando voltagem, ciclos / Hz, amperagem (ampères) e energia elétrica necessária para operar o aparelho ou a ferramenta.

9.4. Consulte a sua sucursal mais próxima com perguntas sobre surtos de energia de certos aparelhos ou ferramentas elétricas.

9.5. As cargas elétricas, como lâmpadas incandescentes e placas quentes, exigem que a mesma potência seja iniciada para manter seu uso. Isso é comumente conhecido como um carregamento "LÍDER"

9.6. Cargas, como lâmpadas fluorescentes, com acionadores de partida exigem de 1,5 a 2 vezes a potência indicada durante a partida.

9.7. Motores elétricos requerem uma grande corrente de partida. Os requisitos de energia dependem do tipo de motor e seu uso. Quando for atingido o "poder" suficiente para ligar o motor, o aparelho exigirá apenas + -50% da potência para continuar a funcionar.

9.8. A maioria das ferramentas elétricas requer 1,5 a 3 vezes sua potência para funcionar sob carga durante o uso. Cargas como bombas submersíveis e compressores de ar exigem uma força muito grande para começar. Eles precisam de 3 a 5 vezes a potência normal de funcionamento para começar

### **10. PROGRAMA DE MANUTENÇÃO:**

**PARA TODAS AS SUAS CONSELHOS DE SERVIÇO, MANUTENÇÃO E GARANTIA, ENTRE EM CONTATO COM A CREATIVE HOUSEWARES. POR FAVOR, CONSULTE A PÁGINA INICIAL DOS DETALHES DO CONTATO.**

### **10.1. INSPEÇÃO DIÁRIA:**

Antes de olhar o gerador, por favor, verifique os seguintes itens de serviço:

10.1.1. Verifique se há combustível suficiente

10.1.2. Vibração excessiva, ruído

10.1.3. Parafusos soltos ou quebrados

10.1.4. Vazamento de combustível

10.1.5. Ambiente seguro

### **10.2. MANUTENÇÃO PERIÓDICA:**

A manutenção periódica é vital para a operação segura e eficiente do gerador. Verifique na tabela abaixo os intervalos de manutenção periódica.

### **É TAMBÉM NECESSÁRIO QUE O USUÁRIO DESTE GERADOR REALIZE A MANUTENÇÃO E AJUSTES NAS PEÇAS RELACIONADAS À EMISSÃO ABAIXO PARA MANTER O SISTEMA DE CONTROLE DE EMISSÃO EFICAZ.**

O sistema de controle de emissões consiste nas seguintes partes:

- (1) Carburador e peças internas
- (2) Sistema de enriquecimento a frio, (se aplicável)
- (3) Coletor de admissão, (se aplicável)
- (4) Elementos do purificador de ar
- (5) Vela de ignição
- (6) Magneto ou sistema de ignição eletrônica (se aplicável)
- (7) Avanço por ignição / sistema de retardamento (se aplicável)
- (8) Coletor de escape, (se aplicável)
- (9) Mangueiras, correias, conectores e conjuntos

O schule de manutenção indicado na tabela é baseado na operação normal do gerador. Se o gerador funcionar em condições de muita poeira ou em condições de carga mais alta, os intervalos de manutenção devem ser reduzidos. Isso dependerá da contaminação do óleo, do entupimento dos elementos filtrantes e do desgaste das peças.

### 10.2.1. Tabela de manutenção periódica

Itens de manutenção	Cada oito horas nossa (Diariamente)	Cada 20 horas	Cada 100 horas (Semanal)	A cada 200 horas nossa (Por mês)	A cada 500 horas	A cada-1000 horas
Limpe o gerador e verifique parafusos e porcas	●					
Vela de ignição limpa			●			
Filtro de ar limpo			●			
Substitua o elemento do filtro de ar				●		
Limpe o filtro de combustível				●		
Limpe e ajuste a vela de ignição e eletrodos				●		
Substitua a vela de ignição					●	
Remova o carbono do cilindro cabeça (nota 1)						●
Limpe e ajustar a válvula de claro (nota 2)						●
Limpar e ajustar carburetor ou (nota 2)					●	
Limpe e substitua o carbono escovas					●	
Substitua as linhas de combustível					●	
Motor de revisão (nota 2)	<b>Se e quando necessário</b>					

## 11. MANUTENÇÃO “COMO - A”

### 11,1. FILTRO DE AR DE LIMPEZA:

#### CUIDADO

Não lave os elementos com querosene, gasolina ou óleo.

Um filtro de ar sujo dificultará o arranque do gerador. Ele também faz com que o gerador trabalhe mais para menos de executar e pode causar danos permanentes. Mantenha sempre o elemento do filtro de ar limpo.

10.1.1. O elemento de espuma urethane deve ser lavado com um detergente de limpeza. Depois de limpá-lo, certifique-se de que ele esteja seco adequadamente antes de reinstalar. Por favor, limpe a cada 100 horas.

10.1.2. Limpe o elemento de papel batendo e soprando suavemente para remover sujeira e poeira. Nunca use óleo para limpar o elemento de papel. Por favor, limpe a cada 50 horas e substitua a cada 200 horas.

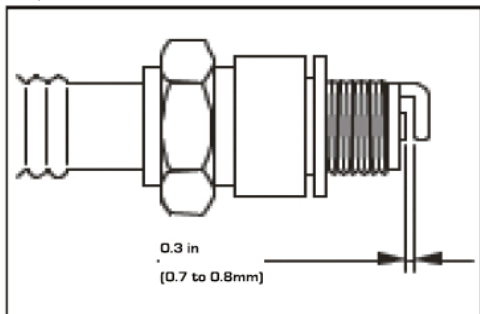
**Por favor, limpe os elementos do filtro de ar mais frequentemente quando operando em y ambiente pó s.**

## **11.2. LIMPEZA E AJUSTE DO PLUGUE DE FAÍSCAS:**

11.2.1. Se a vela de ignição estiver entupida com carbono, limpe-a usando um limpador de plugue ou uma escova de aço.

11.2.2. Sempre verifique a folga do eletrodo após a limpeza.

Ajuste a folga para 0,03 polegadas (0,7 mm a 0,8 mm).

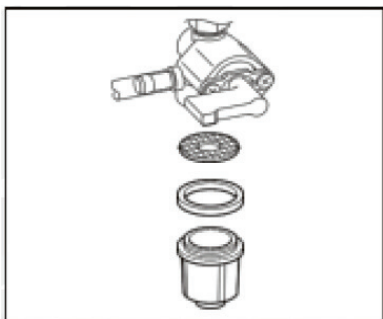


## **11.3. LIMPEZA DE FILTRO DE COMBUSTÍVEL:** **Por favor, note que a sujeira e a água do combustível são removidas pelo filtro de combustível.**

11.3.1. Remova o copo do filtro e limpe-o adequadamente removendo a água e a sujeira coletada.

11.3.2. Limpe a tela e o copo do filtro com gasolina.

11.3.3. Prenda o copo firmemente ao corpo principal e certifique-se de que não haja vazamentos de combustível.



## **11.4. SUBSTITUIÇÃO DA MANGUEIRA DE COMBUSTÍVEL:**

### **AVISO**

Tome muito cuidado ao substituir a mangueira

de combustível, pois a gasolina é extremamente inflamável e perigosa.

## **NÃO FUME OU EXPONHA PARA ABRIR CHAMAS enquanto estiver fazendo isso**

11.4.1. Por favor, verifique se a mangueira de combustível é substituída a cada 500 horas. Não tente fazer isso enquanto a válvula de combustível estiver aberta.

11.4.2. Por favor, substitua a mangueira de combustível imediatamente se ocorrer um vazamento ou se a mangueira de combustível estiver queimada.

## **12. TRANSPORTE E ARMAZENAMENTO:**

12.1. Antes de transportar o gerador, certifique-se de que a válvula de combustível esteja na posição "DESLIGADA".

O contato com um motor quente ou sistema de exaustão pode causar queimaduras graves ou incêndios, sempre permitindo que o motor esfrie antes de transportar e / ou armazenar. Sempre garanta que o gerador seja transportado e ou armazenado em uma posição horizontal e plana. A inclinação da unidade pode causar derramamento de combustível, o que pode resultar em incêndio.

12.2. Antes de armazenar o gerador por um longo período de tempo, certifique-se de que a área de armazenamento esteja livre de excesso de água, poeira e umidade. Por favor, siga a tabela abaixo:

Tempo de armazenamento	Manutenção recomendada
0-1 mês	• Nenhuma preparação exigida
1-2 meses	• Drene o combustível original no tanque de combustível e substitua-o por combustível limpo.
2-12 meses	• Drene o combustível original no tanque de combustível e substitua-o por combustível limpo. • Vazio de combustível do carburador • Esvazie o combustível do copo de sedimentos de combustível.
> 12 meses	• Drene o combustível original no tanque de combustível e substitua-o por combustível limpo. • Vazio de combustível do carburador • Esvazie o combustível do copo de sedimentos de combustível • Remova a vela de ignição e despeje uma colher de chá de óleo de motor de 4 tempos no cilindro. Ligue o motor lentamente, puxando o arranque de recuo. Reinstale a vela de ignição • Após a remoção do armazenamento, drene o combustível armazenado em um recipiente adequado e substitua-o por combustível novo antes de iniciar.
<ul style="list-style-type: none"> <li>• Drene o carburador soltando o parafuso de drenagem. Drene o combustível em um recipiente adequado. Reinstale o bujão de drenagem.</li> <li>• Desligue a rolha de combustível, retire o copo de sedimentos, esvazie o combustível, volte a instalar o copo e fixe-o bem.</li> </ul>	

**NUNCA ARMAZENE O GERADOR DENTRO DE UMA CASA OU ESCRITÓRIO. NÃO GUARDE O GERADOR ONDE É SUSCEPTÍVEL À UMIDADE.**

### 13. SOLUÇÃO DE PROBLEMAS:

Se o motor do gerador falhar após várias tentativas e se não houver eletricidade disponível no soquete de saída, verifique o gráfico abaixo. Se o gerador ainda não iniciar ou gerar eletricidade, entre em contato com a CREATIVE HOUSEWARES (consulte a última página deste manual para obter os detalhes de contato).

### Quando o motor falha ao iniciar:

Verifique se a alavanca do afogador está em sua posição correta	Coloque a alavanca do afogador a posição "CLOSED"
Verifique se a cortiça de combustível está aberto	Se estiver fechado, abra-o
Verifique o nível de combustível	Se o tanque de combustível estiver vazio, Encha-o. CUIDADO: não transbordar
Verifique se o motor interruptor está no "OFF" posição	Ligue o interruptor do motor para a posição "ON".
Certifique-se de que o gerador não esteja conectado a um aparelho.	Se estiver conectado a um aparelho, desligue o ligue o aparelho na tomada e desligue-o
Teste para ver se a faísca a tampa do plugue está solta.	Teste para ver se a faísca a tampa do plugue está solta. Se estiver solto, empurre a tampa da vela de faísca para trás e aperte-a
Verifique a vela de ignição e a acumulação de carbono	

### Reciclando

Esses produtos elétricos, cabos, baterias, embalagens e o manual não devem ser misturados ao lixo doméstico geral. Para uma reciclagem adequada, leve esses produtos ao escritório da **Creative Housewares** mais próximo, onde serão aceitos para reciclagem gratuitamente.

Como alternativa, entre em contato com a autoridade local ou o serviço de coleta de lixo doméstico para obter mais detalhes sobre o ponto de coleta designado mais próximo. O descarte correto do produto economiza recursos e evita efeitos negativos na saúde humana e no meio ambiente



Casals guarantees that this product has been thoroughly inspected and tested before being dispatched and is free from mechanical and electrical defects and complies with the applicable safety standards. However, should defects due to faulty material or workmanship develop, under normal domestic use, within 6 months from the date of purchase please return the product to the store from where it was purchased for a full refund or replacement.

**The following conditions apply:**

1. Please ensure you retain your receipt as this must be presented when making a claim under the terms of the warranty. It is impossible to determine the warranty period without proof of purchase, so please keep this in a safe place.
2. If a refund or exchange is required the product must be complete with all accessories, parts and packaging.
3. Missing parts will render the warranty void.
4. Upon receipt of your appliance check it for any transport damage to ensure it is safe for use. Return it to the store as soon as possible for exchange if damaged. The warranty is void if products are damaged after use, so please do not use the damaged product.
5. Your product is designed for normal domestic household use. Failure to read and comply with the instructions for use, cleaning and maintenance will render your warranty void, so please read these instructions carefully to ensure your safety, and get the most effective use from the product.
6. Any abuse, negligent, improper use will render the warranty void and Creative Housewares (Pty) Ltd will not be liable for any loss or damage.
7. This Warranty will not apply if this tool is damaged by accident or from normal wear and tear.
8. Any attempted repair, or replacement of unauthorised parts will render the warranty void, so please contact an authorised service centre or agent for any service or repair requirements.
9. Accessories such as bits, blades, sanding disc, cutting lines, etc are excluded from this warranty.
10. Normal consumables parts, such as carbon brushes, bearings, chucks, cord assembly's, spark plugs, recoil pulleys and bump head assembly's are specifically excluded from this warranty.

**Extended 24 Month Limited Warranty**

- Casals takes pride in their product quality and therefore offer an extended 24 month limited warranty from the original date of purchase to offer the consumer peace of mind on their purchase.
- Should defects due to faulty material or workmanship develop, under normal domestic use, within 24 months from the original date of purchase, please return the product to the store from where it was purchased for repair free of charge.
- Casals will however replace a product, if the cost of the repair is not commercially viable or if their ability to conduct repair effectively cannot be guaranteed.
- NB: The warranty on replaced products will be from the original date of purchase.
- All repairs carry a 3 month warranty even if this falls outside of the 2 year warranty period. Casals will attempt to conduct repairs within reasonable industry standards but cannot be held responsible or liable for any circumstances not under their control.

**Before returning your product, check for the following:**

1. Your household mains supply socket is working and switched on.
2. The mains supply circuit is not overloaded (White trip switch on your DB board is off).
3. You have read the trouble shooting guide in your Instructions for Use.
4. All accessories and parts are present.

If service or repair becomes necessary outside the warranty period, this service is still available however all transport/postage, spares and labour costs will be paid by the consumer. All chargeable repairs will require the consumers' approval in writing once the quote is accepted. Once the go-ahead has been received Casals will undertake to conduct the repair within a reasonable time and maintain the condition of the product as received.

**For any assistance, service, queries and complaints please contact our Customer Care on 086 111 5006 or e-mail [help@creativehousewares.co.za](mailto:help@creativehousewares.co.za).**

**Cape Town**

20 Tekstiel Street, Parow, Cape Town,  
7493, South Africa • P.O. Box 6156 Parow  
East, 7501, South Africa  
Tel: +27 21 931 8117  
Fax: +27 21 931 4058

**Durban**

243 Percy Osborn Road  
Morningside, Durban, South Africa  
Tel: +27 31 303 3465  
Fax: +27 31 303 8259

**Johannesburg**

9 Hamburg Road, Aeroport,  
Spartan, Johannesburg, South Africa  
Tel: +27 11 392 5652  
Fax: 086 567 9222



CSC36V



CSC36



CSC12



CID18K-2



ID500REA



ID810RE



1500/32QREAK+C



DE2000/600



PL82650



BS76810



OS150



SD200



SD75



SA400



SA650PEL



CS184L



R1200EA



AG115500



AG2302000A



SP1200



Casals Power Tools, S.L.  
AV. Barcelona, s/n 25790 Oliana Lleida Spain



Casals Power Tools,  
20 Tekstiel St, Parow. Cape Town. 7493, RSA